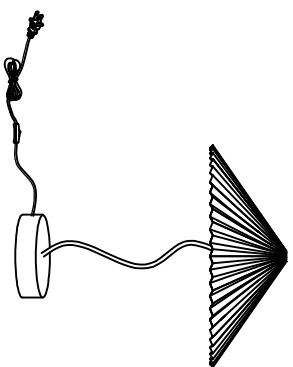


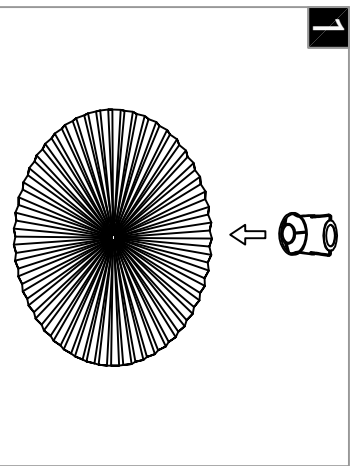
Warning:

This product must be installed by personnel who are familiar with its structure and related hazards, in accordance with the installation specifications. This product is suitable for indoor installation.

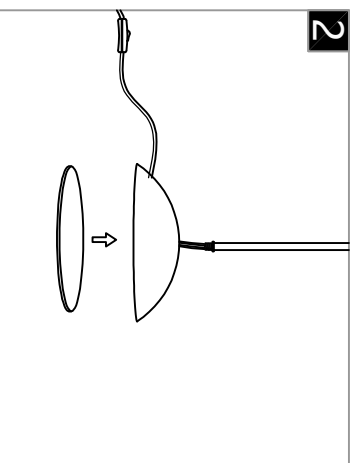


Product style diagram

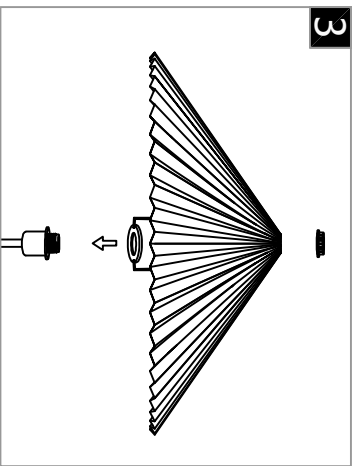
Steps of installation



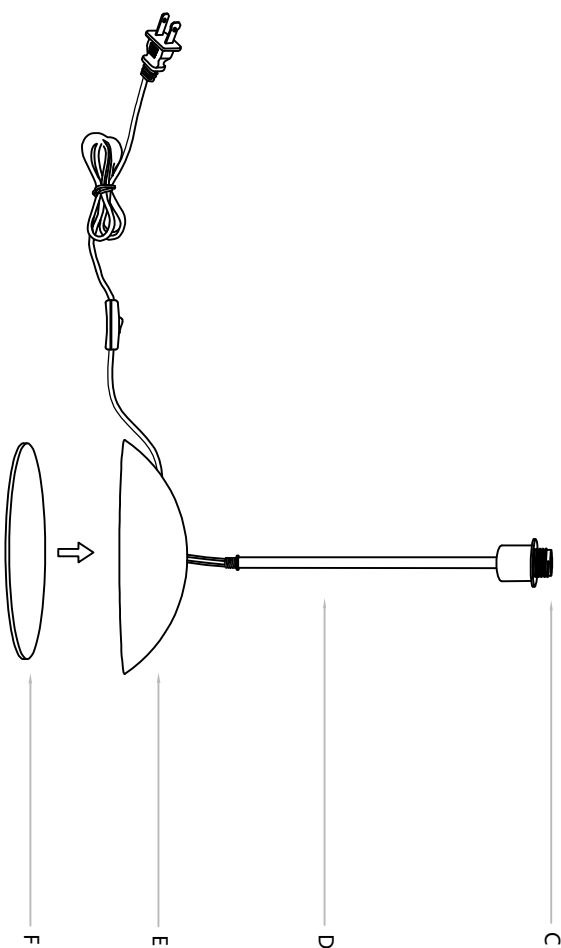
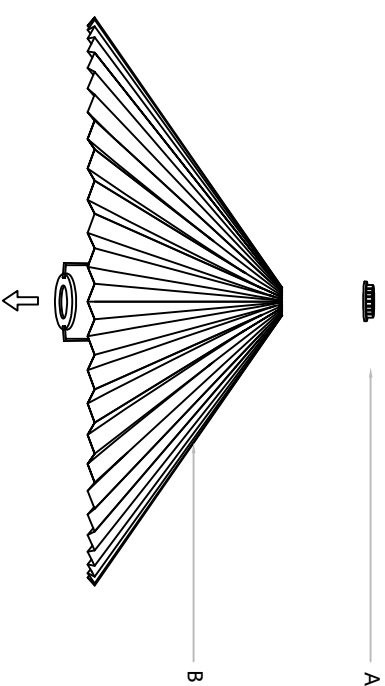
Place the lampshade flat on the table, with the smooth side facing upwards. Then, insert the lamp head bracket into the lampshade and flip it upwards to complete the installation.



Install the connecting rod onto the base, and then attach the anti-slip pad to the base.



Install the lampshade onto the lamp head of the connecting rod, and then secure it with the lamp head ring.



First, install the connecting rod (D) onto the base (E). Then, attach the anti-slip pad (F) to the base (E). Next, install the lampshade (B) onto the lamp head (C). Finally, secure it with the lamp head ring (A).