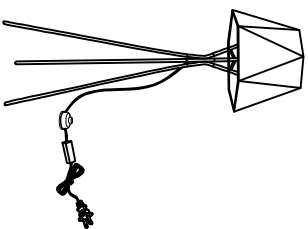


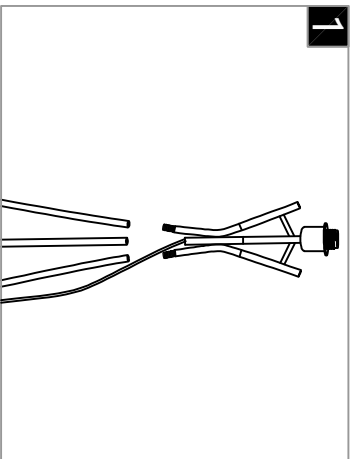
**Warning:**

This product must be installed by personnel who are familiar with its structure and related hazards, in accordance with the installation specifications. This product is suitable for indoor installation.

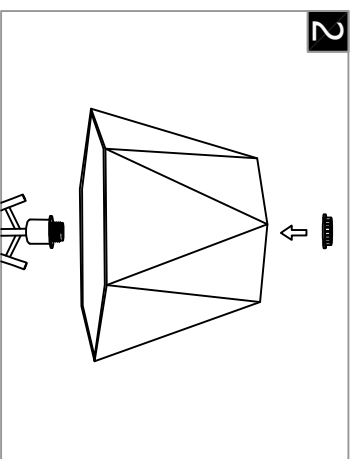


Product style diagram

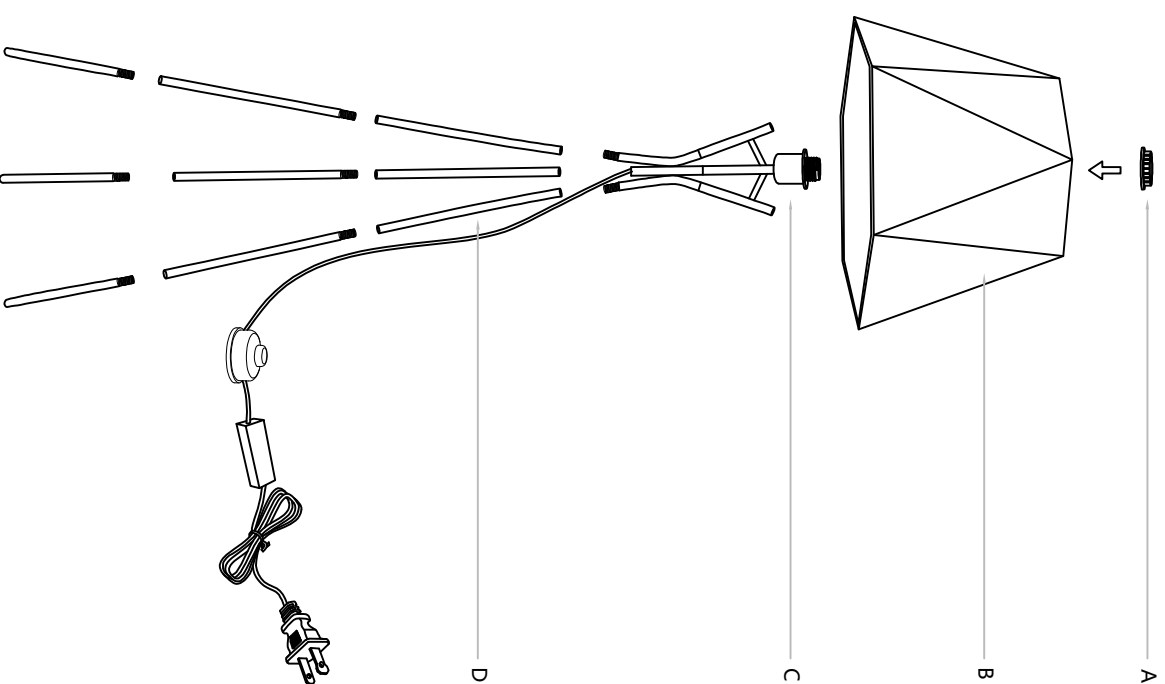
## Steps of installation



1 First, assemble the three threaded rods together, and then install them onto the three-way threaded rod with the lamp head.



2 Then install the lampshade onto the lamp head, and then secure it with the lamp head ring.



First, assemble the three threaded rods (D) together, then install them onto the three-way threaded rod with a lamp cap (C), then attach the lampshade (B) to the lamp cap (C), and finally secure it with the lamp cap ring (A).