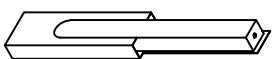


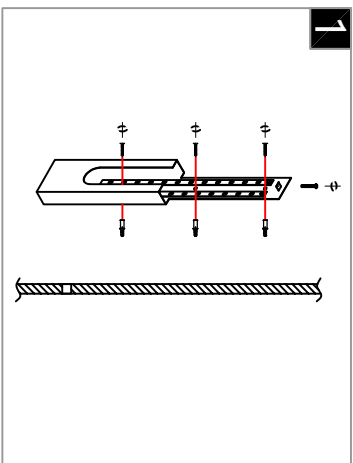
**Warning:**

This product must be installed by personnel who are familiar with its structure and related hazards, in accordance with the installation specifications. This product is suitable for indoor installation.

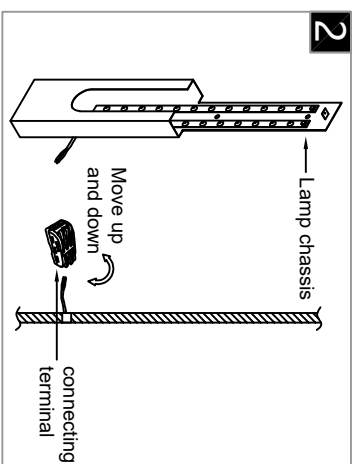


Product style diagram

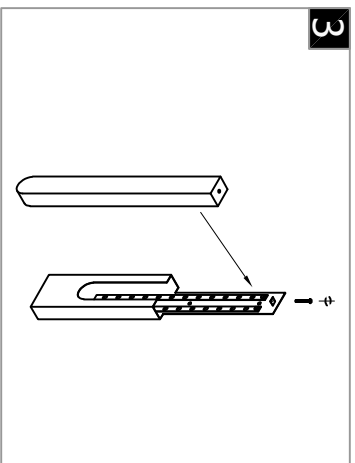
**Steps of installation**



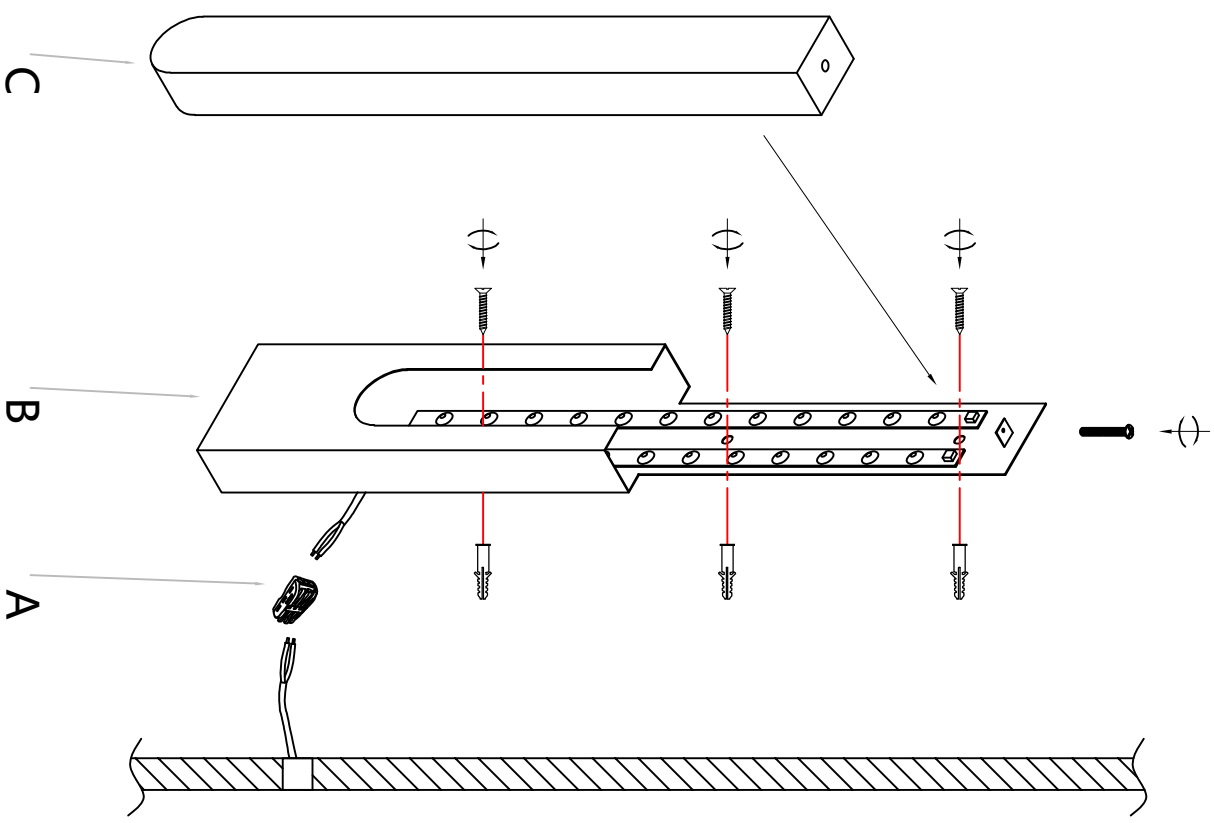
Fix the lamp body to the wall.



Use the terminal block to connect the wires of the lamp body to the wires of the wall.



Align the holes of the marble lampshade with the holes of the lamp body, and tighten the screws.



First, use the terminal block (A) to connect the wires of the lamp body (B) to the wires of the wall. Then, fix the lamp body (B) to the wall. Next, align the holes of the marble lampshade (C) with the holes of the lamp body (B), and tighten the screws.