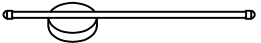


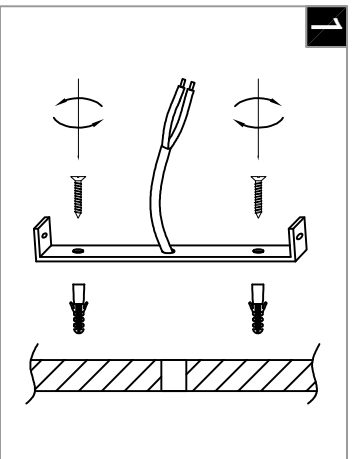
Warning:

This product must be installed by personnel who are familiar with its structure and related hazards, in accordance with the installation specifications. This product is suitable for indoor installation.

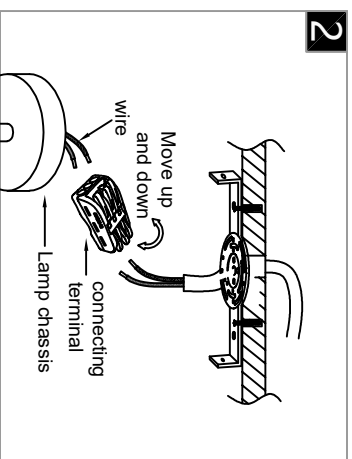


Product style diagram

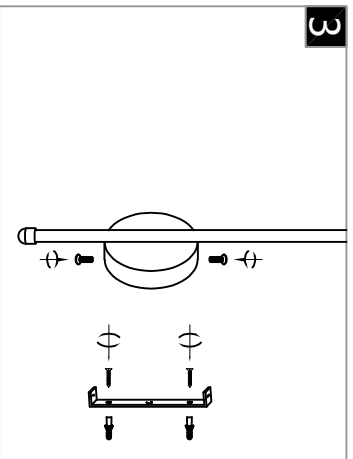
Steps of installation



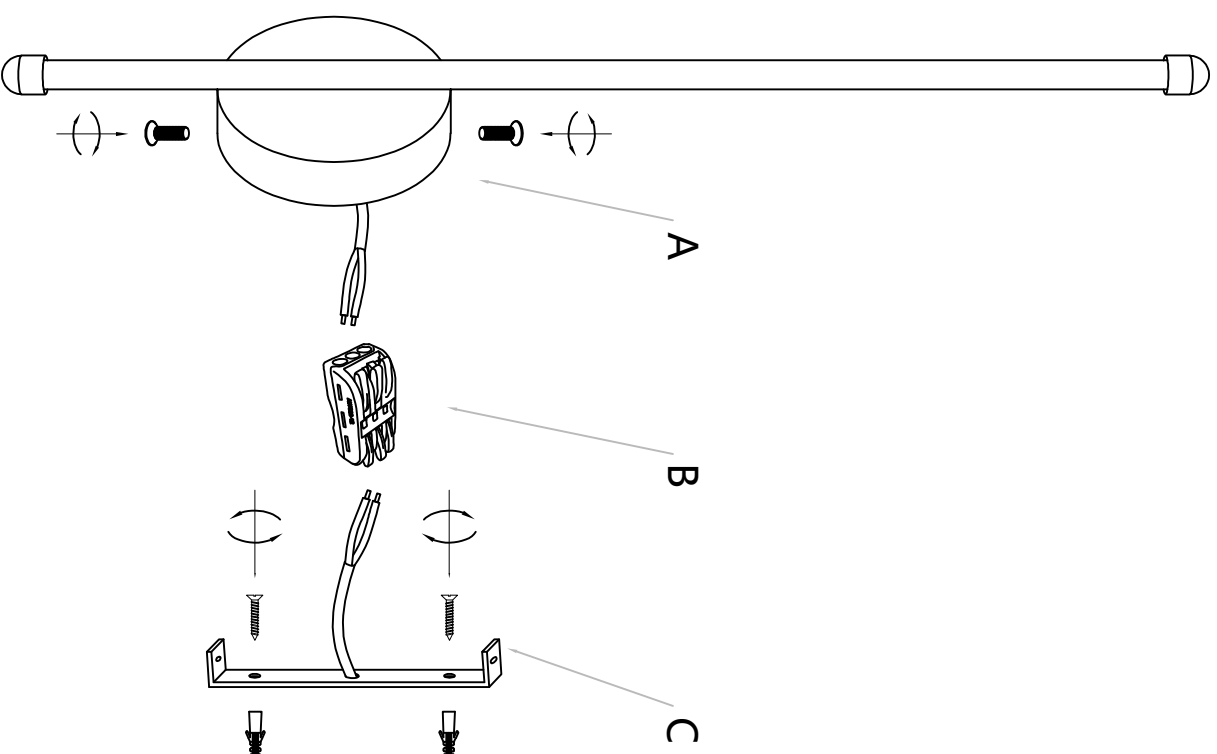
Fix the installation plate (A) to the ceiling.



Connect the wires on the top cover to the wires on the ceiling and the terminal block.



Align the holes on the top cover with the holes on the installation plate, and tighten the screws.



First, attach the mounting plate (C) to the ceiling. Next, connect the wires of the lamp body (A) to those of the ceiling using the terminal block (B). Then, align the opening of the latch installed on the lamp body (A) with the installation plate (C), and rotate it counterclockwise to lock it in place.