

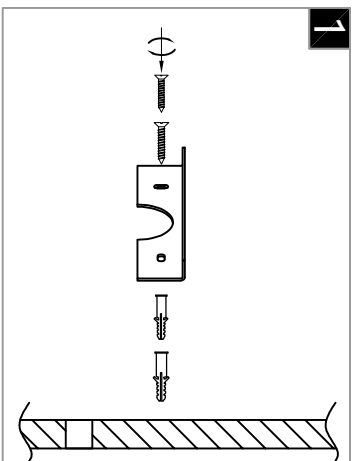
Warning:

This product must be installed by personnel who are familiar with its structure and related hazards, in accordance with the installation specifications. This product is suitable for indoor installation.

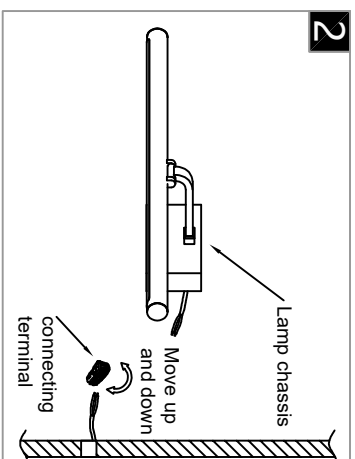


Product style diagram

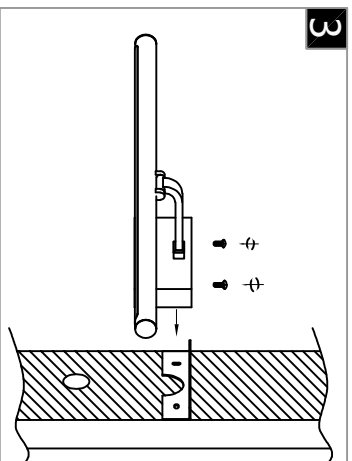
Steps of installation



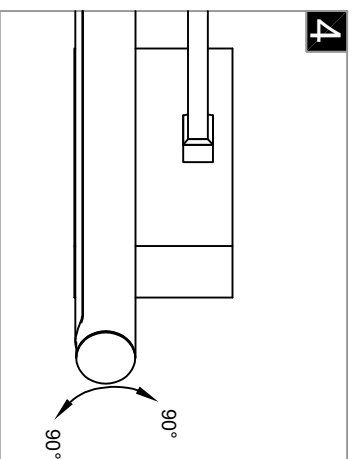
Remove the mounting plate and fix it to the wall.



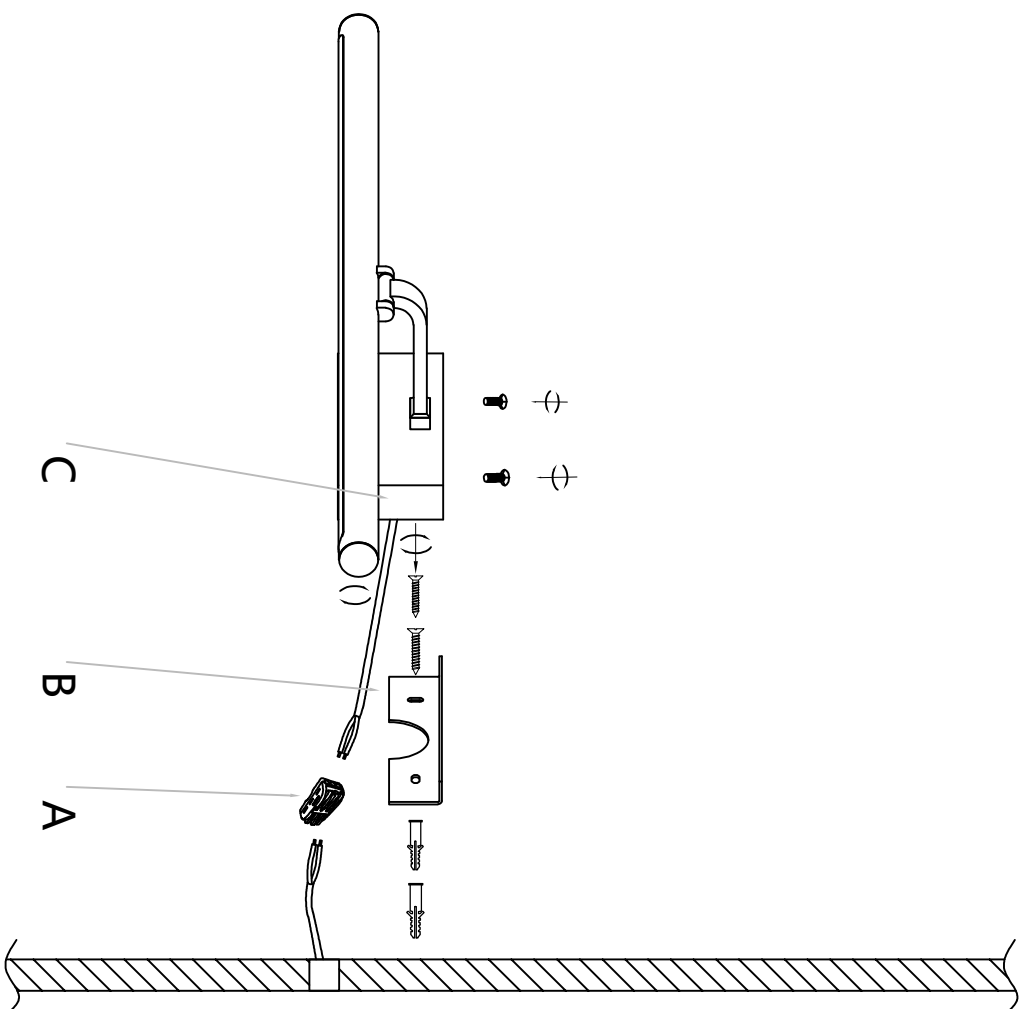
Use the terminal block to connect the wires of the lamp body to the wires on the wall.



Align the holes of the lamp body with those of the mounting plate and tighten the screws.



Can be rotated 90 degrees inward or outward.



First, remove the mounting plate (B) and fix it to the wall. Next, use the terminal block (A) to connect the wires of the lamp body (C) to the wires on the wall. Then, align the holes of the lamp body (C) with those of the mounting plate (A) and tighten the screws.