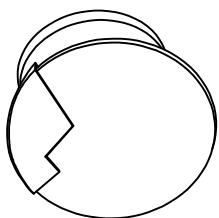


Warning:

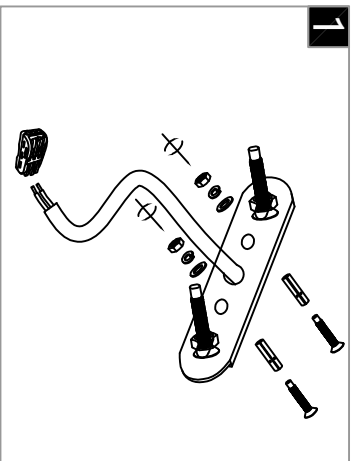
This product must be installed by personnel who are familiar with its structure and related hazards, in accordance with the installation specifications. This product is suitable for indoor installation.



Product style diagram

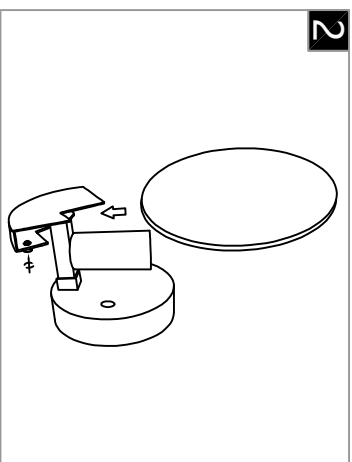
Steps of installation

1

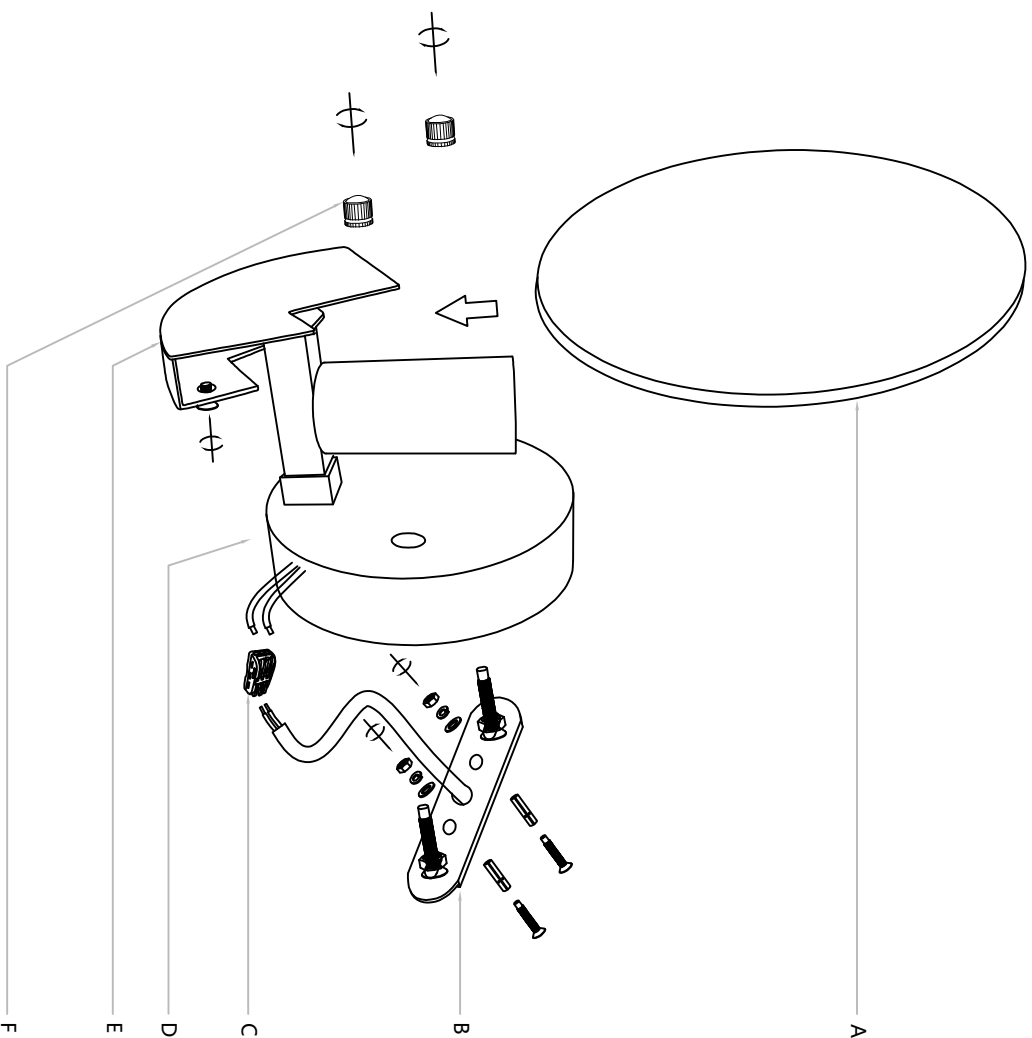


Install the mounting plate onto the wall

2



Place the glass disc on the lamp body bracket, and then secure it with screws.



First, place the glass disc (A) on the lamp body bracket (E), then secure it with screws. Next, fix it to the wall using the mounting plate (B). Then, connect the reserved wires and the wires on the lamp body cover (D) to the terminal block (C). Finally, align the holes on the cover (D) with the screws on the mounting plate (B), and secure them with the wing nut (F).