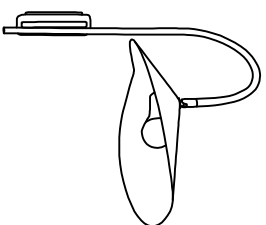
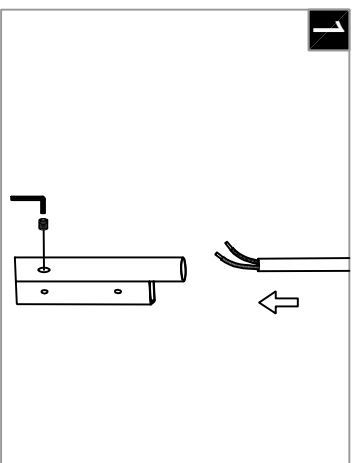


Warning:

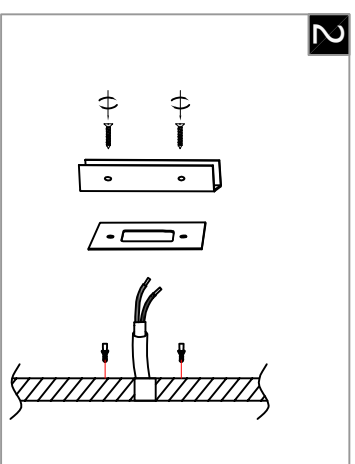
This product must be installed by personnel who are familiar with its structure and related hazards, in accordance with the installation specifications. This product is suitable for indoor installation.



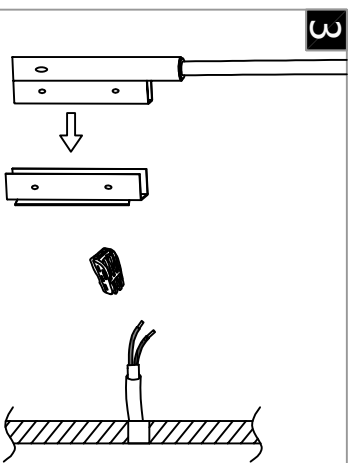
Steps of installation



First, install the lamp arm onto the lamp body box, and then use a small wrench to tighten the screws on the edge.

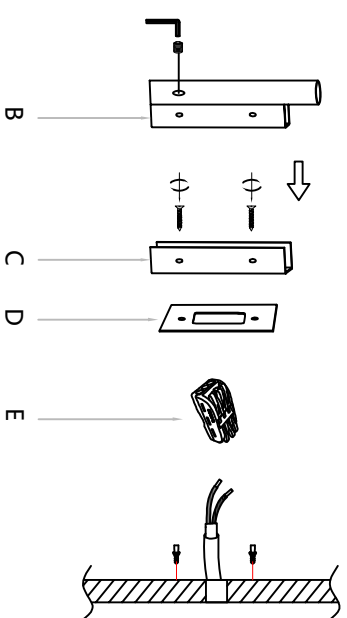
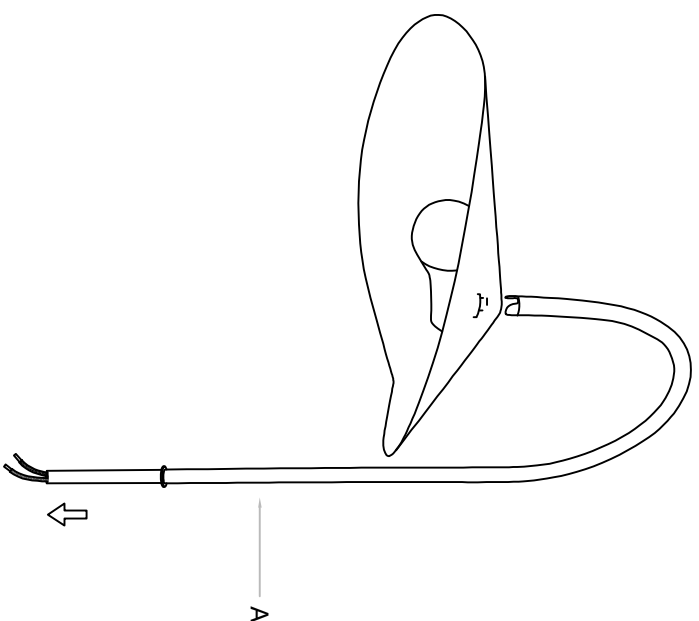


Next, attach the fixed box to the mounting plate, and then secure it to the wall with screws.



Then connect the wires of the lamp body box to the terminal block, and finally install the lamp body box onto the fixed box. Then use screws to secure it on the edge.

Product style diagram



First, install the lamp arm (A) onto the lamp body box (B). Then, use a small wrench to tighten the screws on the edge. Next, attach the fixing box (C) to the mounting plate (D), and then secure it to the wall with screws. Then, connect the wires of the lamp body box (B) to the terminal block (E). Finally, install the lamp body box (B) onto the fixing box (C), and then secure it with screws on the edge.