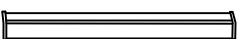


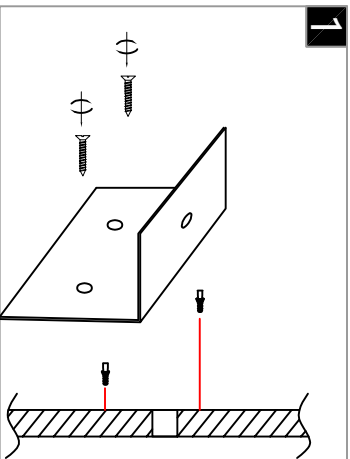
**Warning:**

This product must be installed by personnel who are familiar with its structure and related hazards, in accordance with the installation specifications. This product is suitable for indoor installation.



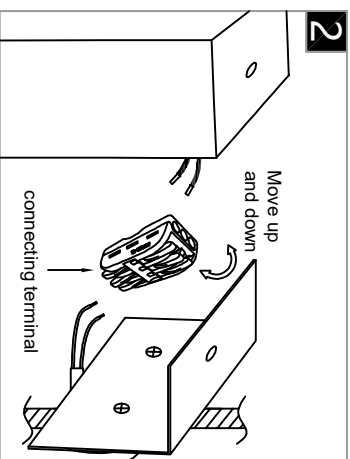
## Steps of installation

**1**



Attach the mounting plate to the wall with self-tapping screws

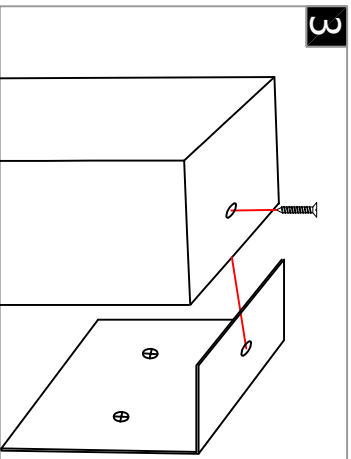
**2**



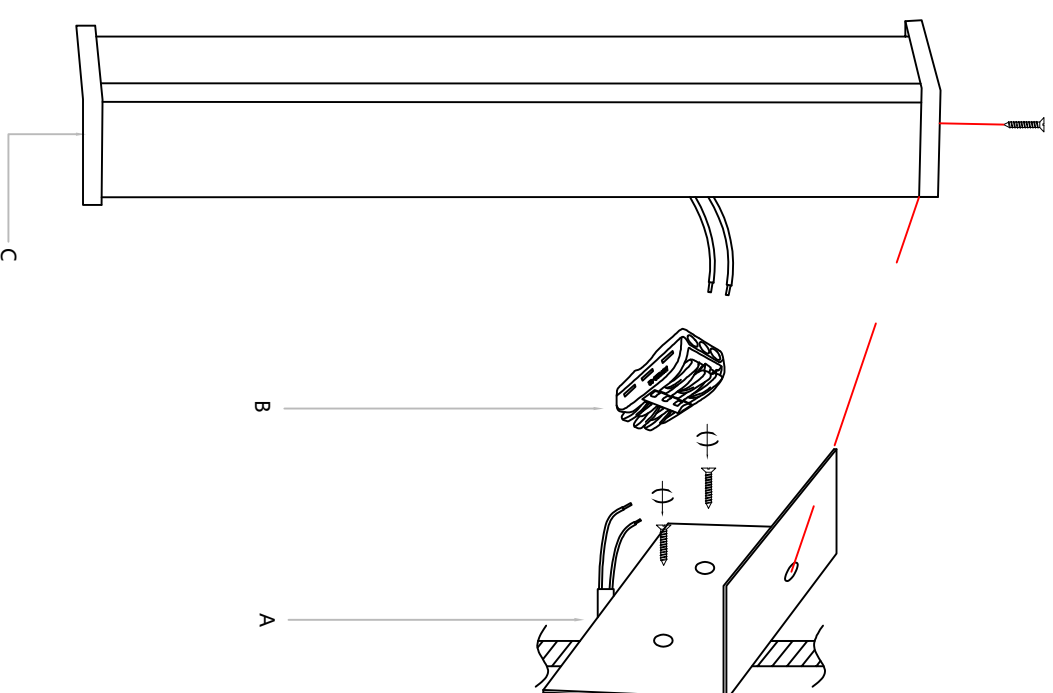
Connect the lamp and wall wire to the terminal, usually neutral wire (white), hair wire (black)

Product style diagram

**3**



Align the holes on the top cover with the holes on the mounting plate, and then secure them with screws.



First, use self-tapping screws to fix the mounting plate (A) to the wall. Then, connect the reserved wires on the lamp body (C) with the reserved wires on the wall and the junction box (B). Finally, install the lamp body (C) onto the mounting plate (A).