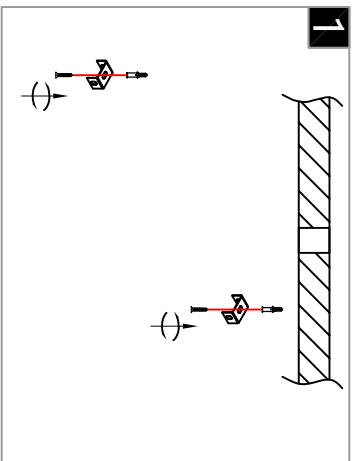


**Warning:**

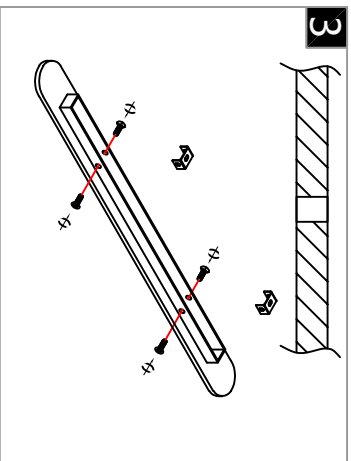
This product must be installed by personnel who are familiar with its structure and related hazards, in accordance with the installation specifications. This product is suitable for indoor installation.



**Steps of installation**

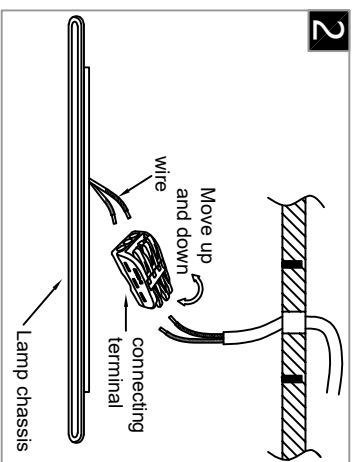


Use measuring tools to measure the distance between the two mounting plates, mark it on the ceiling, and then fix the mounting plate to the ceiling.

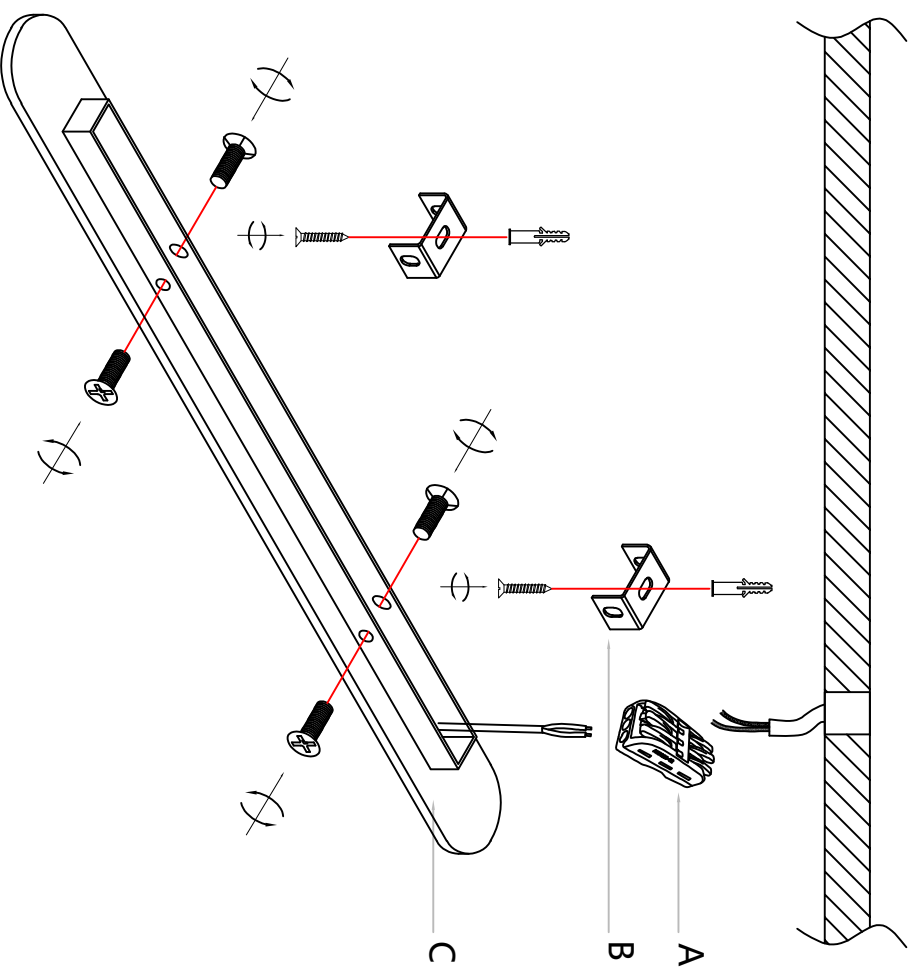


Align the holes on the back of the lamp body with the screw holes on the mounting plate, and tighten the screws.

Product style diagram



Use the quick connector to connect the power cord inside the lamp body to the wires on the ceiling.



First, use measuring tools to measure the distance between the two mounting plates (B), mark it on the ceiling, and then fix the mounting plate (B) to the ceiling.

Next, use the quick connector (A) to connect the power cord inside the lamp body (C) to the wires on the ceiling.

Then, align the holes on the back of the lamp body (C) with the screw holes on the mounting plate (B), and tighten the screws.