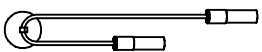
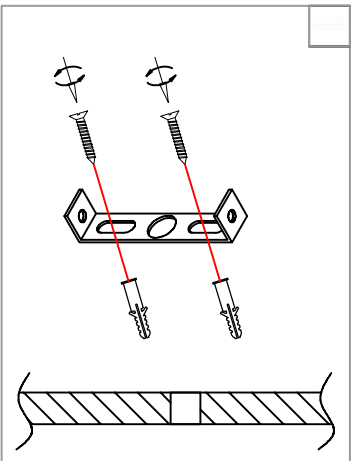


Warning:
This product must be installed by personnel who are familiar with its structure and related hazards, in accordance with the installation specifications. This product is suitable for indoor installation.

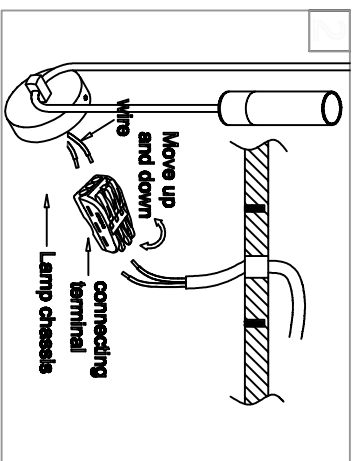


Product style diagram

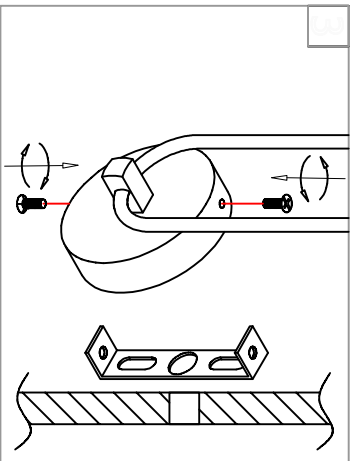
Steps of installation



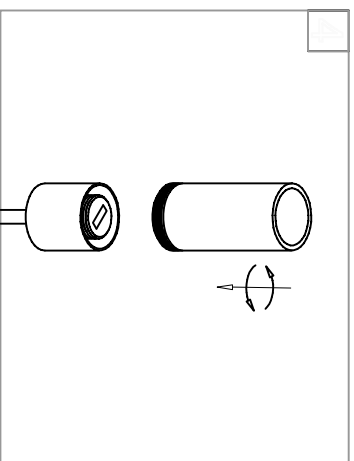
Fix the installation plate to the ceiling .



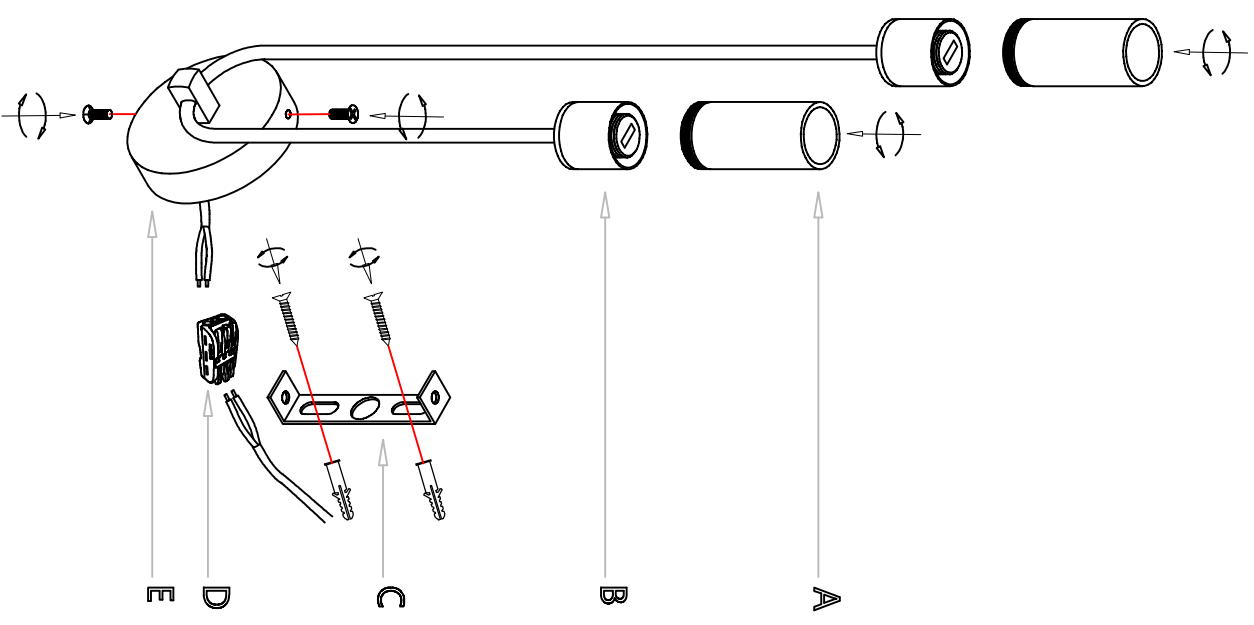
Use the terminal blocks to connect the wires of the top cover to the wires on the wall.



Align the holes on the top cover with the holes on the installation plate, and tighten the screws.



Install the bulb and the lampshade onto the lamp base.



First, install the bulb and the lampshade (A) onto the lamp base (E). Next, install the mounting plate (C) onto the wall. Then, using the terminal block (D), connect the wires of the disc (B) to the wires on the wall. Next, align the holes of the disc (B) with those of the mounting plate (C), and tighten the screws.