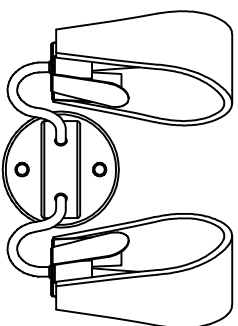
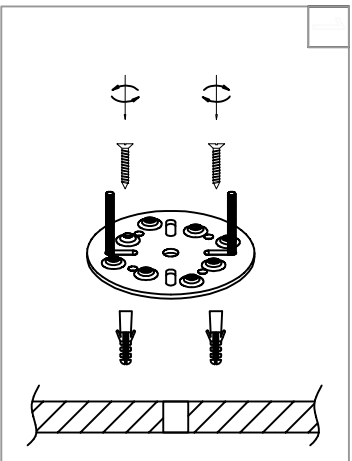


Warning:
This product must be installed by personnel who are familiar with its structure and related hazards, in accordance with the installation specifications. This product is suitable for indoor installation.

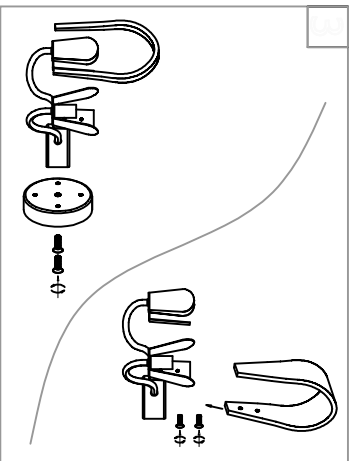


Product style diagram

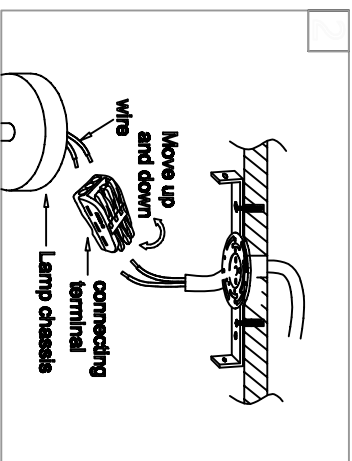
Steps of installation



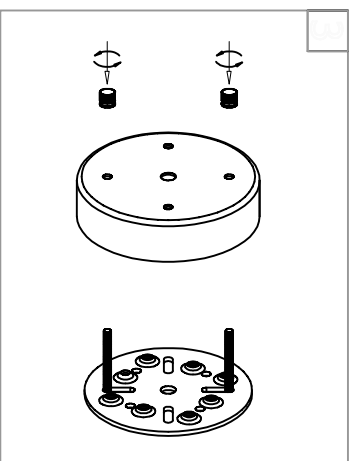
Fix the installation plate to the ceiling .



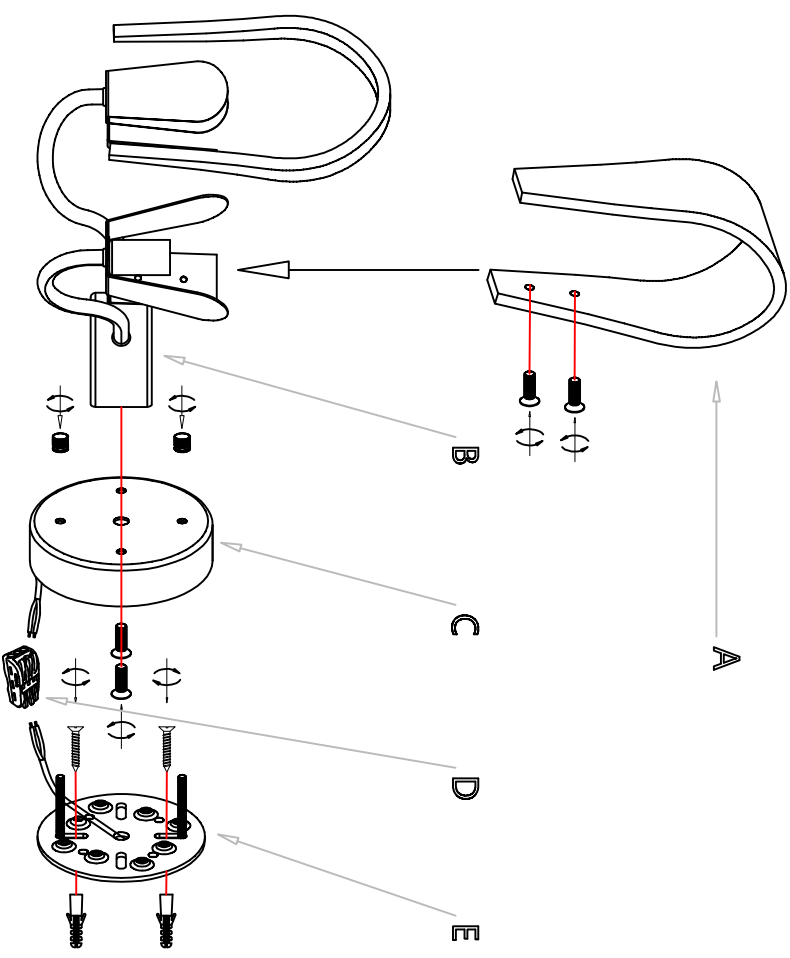
Pass the wires of the lamp body through the large hole of the disc, then align the holes of the disc with those of the lamp body, and tighten the screws. Next, install the bulb onto the lamp head of the lamp body, and then align the holes of the glass lampshade with the screw holes on the iron plate of the lamp body, and tighten the screws.



Use the terminal block to connect the wires on the wall with those of the disc.



Align the holes of the disc with the threaded columns of the mounting plate, and tighten the nut.



First, pass the wires of the lamp body (B) through the large hole of the disc (C), then align the holes of the disc (B) with those of the lamp body (B), and tighten the screws. Next, install the bulb onto the lamp head of the lamp body (B), and then align the holes of the glass lampshade (A) with the screw holes on the iron plate of the lamp body (B), and tighten the screws. Then, fix the mounting plate (B) to the wall. Afterwards, use the terminal block (D) to connect the wires on the wall with those of the disc (C). Next, align the holes of the disc (C) with the threaded column of the mounting plate (B), and tighten the nut.