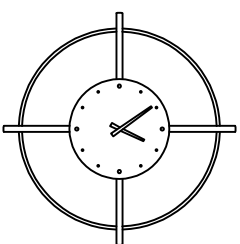
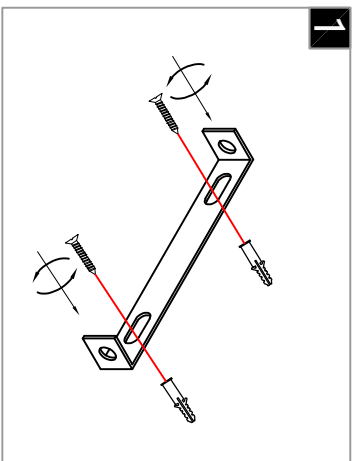


Warning:
This product must be installed by personnel who are familiar with its structure and related hazards, in accordance with the installation specifications. This product is suitable for indoor installation.

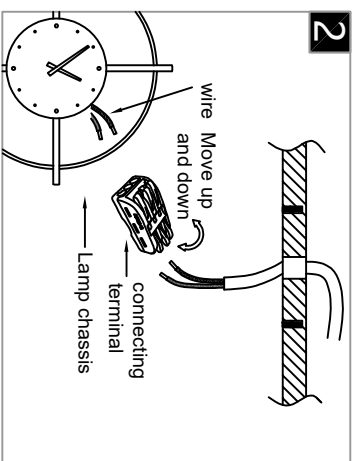


Product style diagram

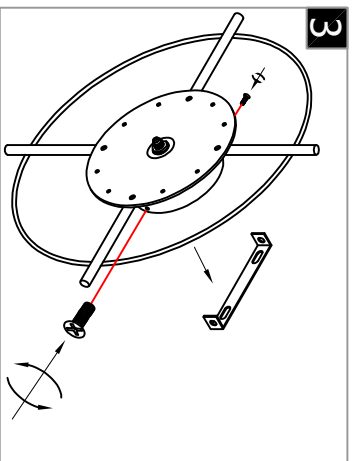
Steps of installation



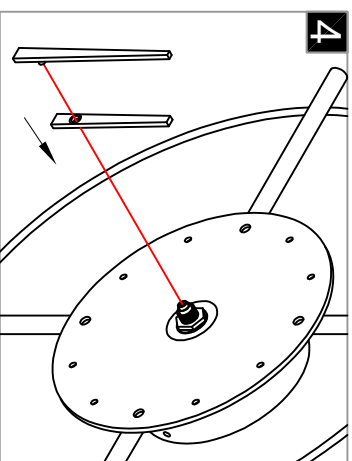
Fix the mounting plate to the wall.



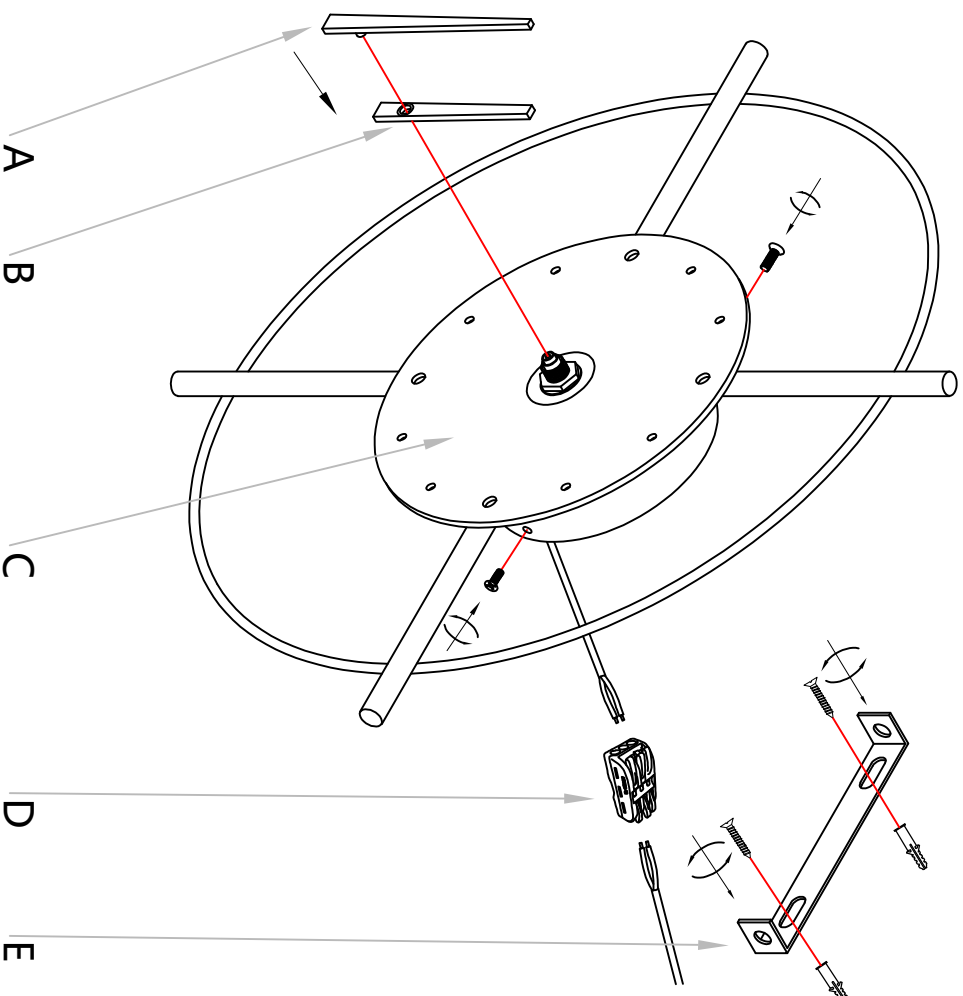
Using the quick connector, connect the power cord inside the disc to the wires on the wall.



Align the holes on the back of the disc with the screw holes on the mounting plate, and tighten the screws.



Install the hour hand and the minute hand at the middle position of the lamp body.



First, fix the mounting plate (E) to the wall.

Then, using the quick connector (D), connect the power cord inside the disc (C) to the wires on the wall.

Next, align the holes on the back of the disc (C) with the screw holes on the mounting plate (A), and tighten the screws.

Finally, install the hour hand (B) and the minute hand (A) at the middle position of the lamp body (C).