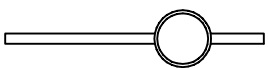
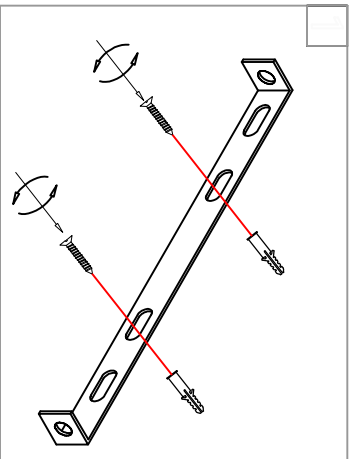


Warning: This product must be installed by personnel who are familiar with its structure and related hazards, in accordance with the installation specifications. This product is suitable for indoor installation.

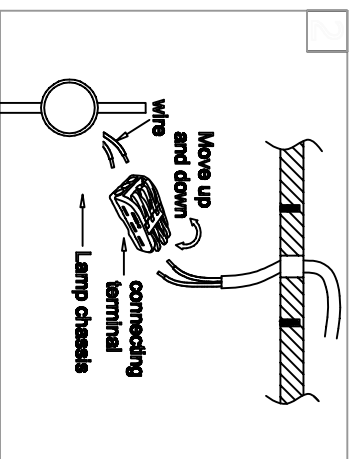


Product style diagram

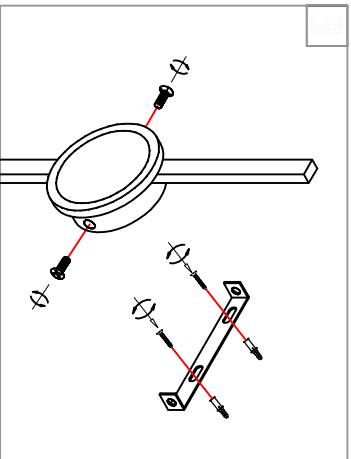
Steps of installation



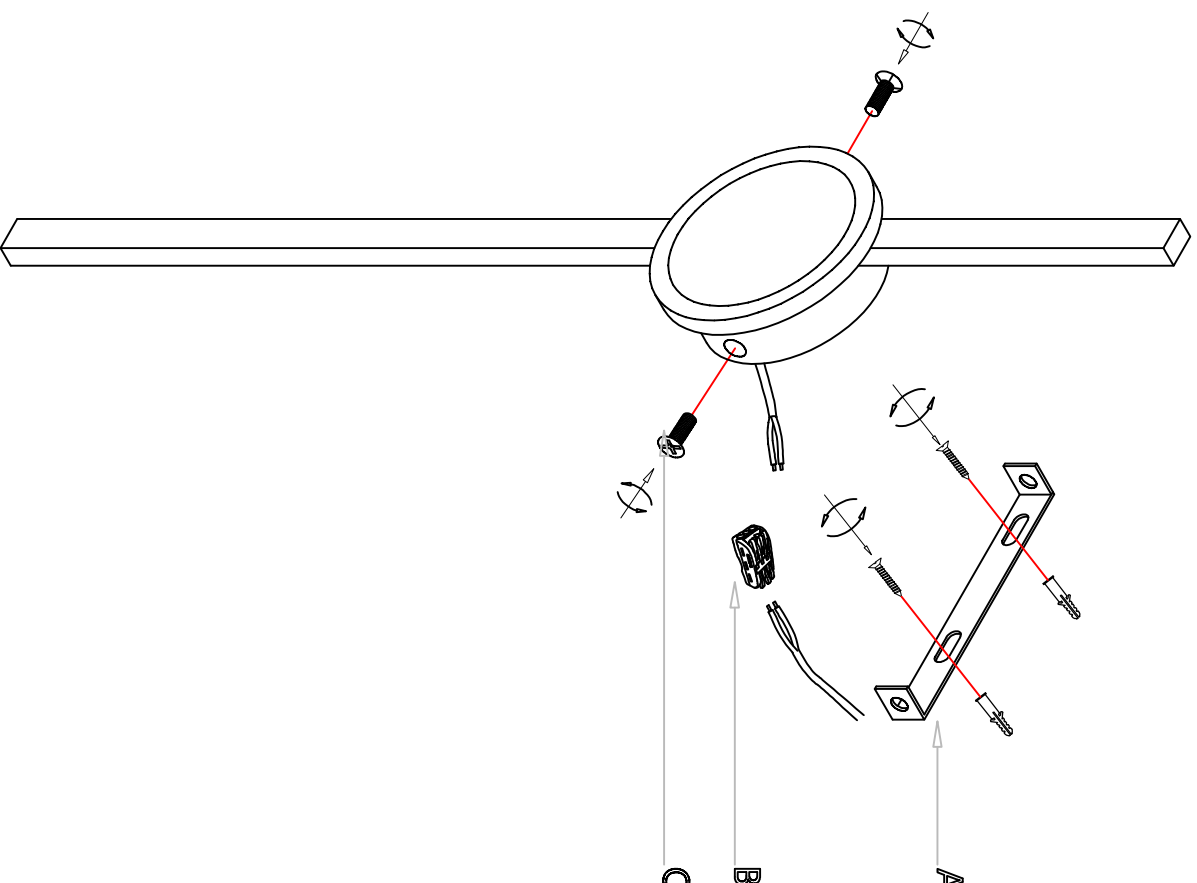
Install the mounting plate onto the wall.



Use the terminal blocks to connect the wires of the top cover to the wires on the wall.



Align the holes on the top cover with the holes on the installation plate, and tighten the screws.



First, fix the mounting plate (A) to the wall. Next, use the terminal blocks (B) to connect the wires of the top cover (C) to the wires on the wall. Then, align the holes on the top cover (C) with the holes on the mounting plate (A), and tighten the screws.