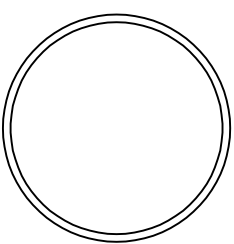


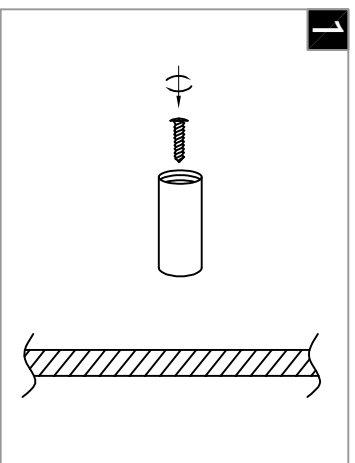
Warning:

This product must be installed by personnel who are familiar with its structure and related hazards, in accordance with the installation specifications. This product is suitable for indoor installation.

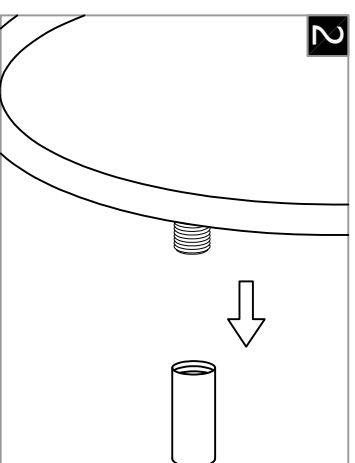


Product style diagram

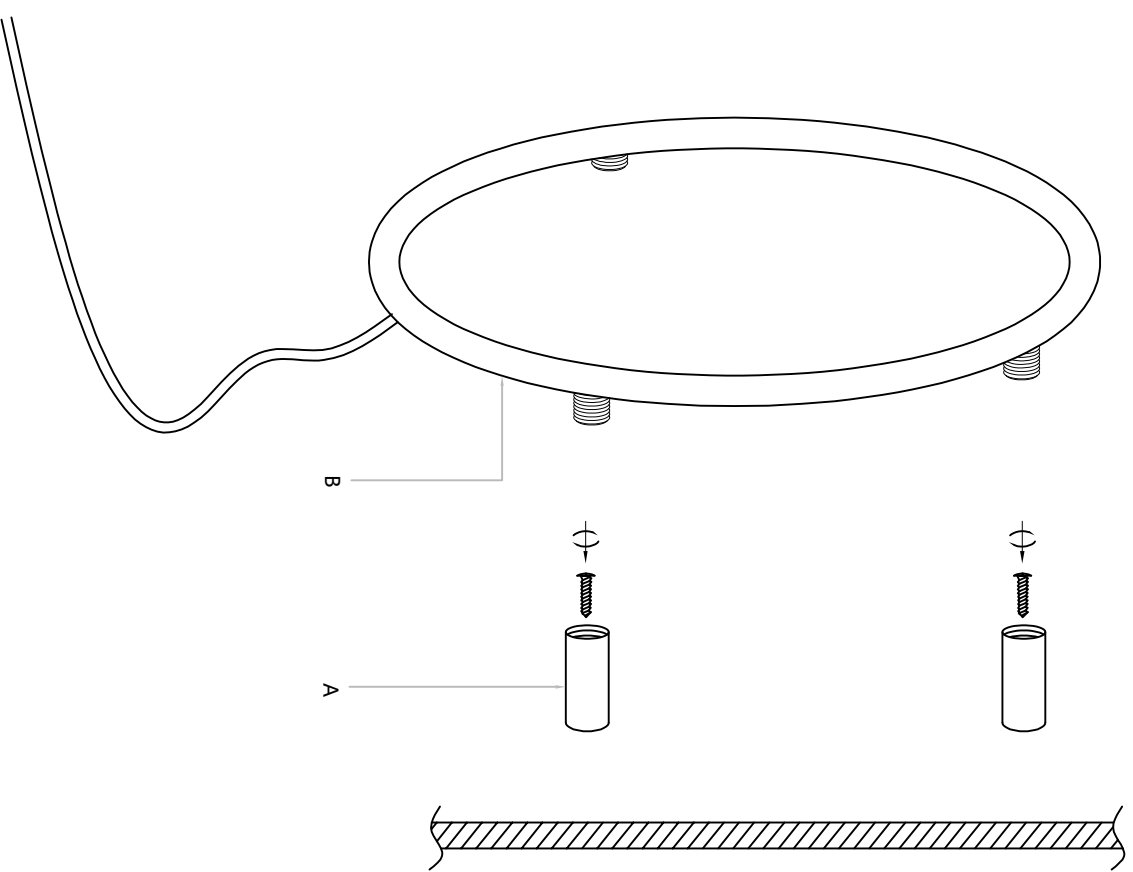
Steps of installation



First, remove the threaded screws from the lamp body and then drive them into the wall. Be careful not to drive them too tightly.



Finally, install the lamp body onto the threaded nail, and then tighten the threaded nail to secure it.



First, remove the threaded screw (A) from the lamp body and insert it into the wall. Be careful not to push it too tightly. Finally, install the lamp body (B) onto the threaded screw (A), and then tighten the screw to secure it.