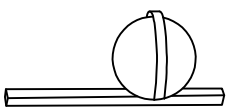


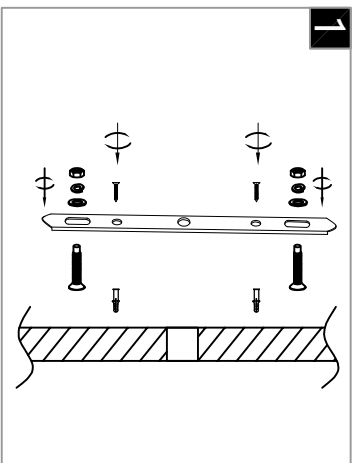
Warning:

This product must be installed by personnel who are familiar with its structure and related hazards, in accordance with the installation specifications. This product is suitable for indoor installation.

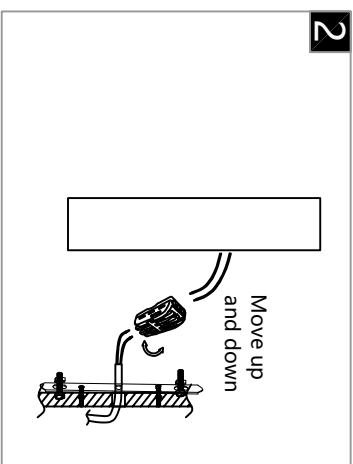


Product style diagram

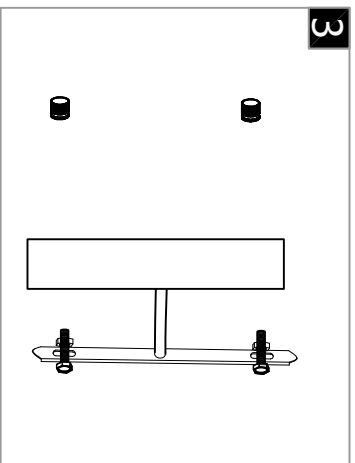
Steps of installation



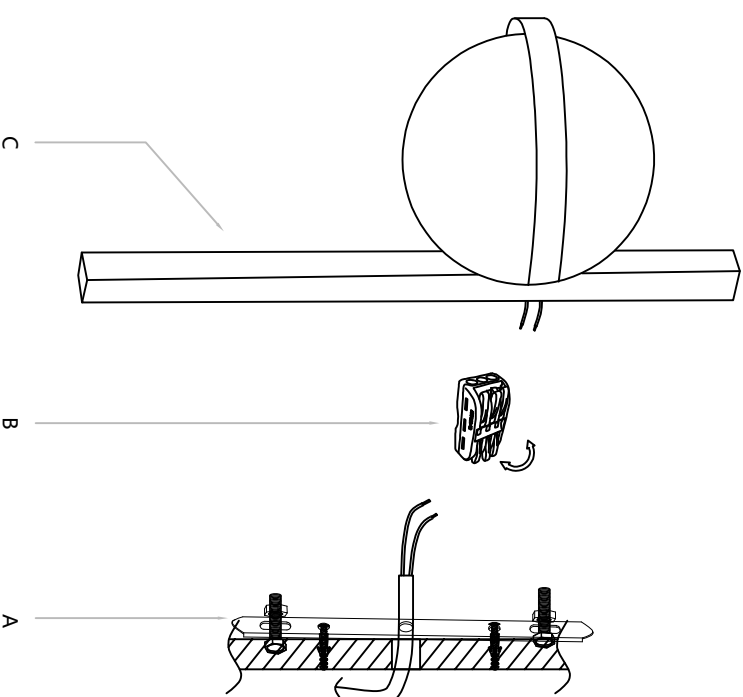
Attach the mounting plate to the wall with self-tapping screws



Connect the lamp and wall wire to the terminal, usually neutral wire (white), hair wire (black)



Align the holes on the top cover with the screws on the mounting plate, and then secure them with a locknut.



First, use self-tapping screws to fix the mounting plate (A) to the wall. Then, connect the wires reserved on the lamp body cover (C) to the reserved wires on the wall and the junction box (B). Finally, install the lamp body cover (C) onto the mounting plate (A). Next, install the marble lamp panel (D) onto the lamp body cover (C), and then tighten the screws on the edge.