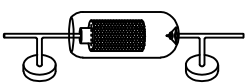


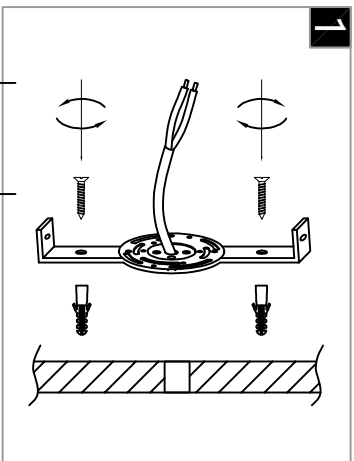
**Warning:**

This product must be installed by personnel who are familiar with its structure and related hazards, in accordance with the installation specifications. This product is suitable for indoor installation.

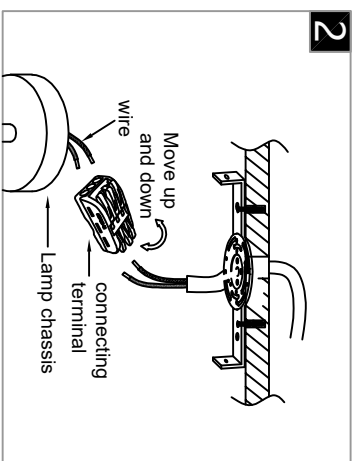


Product style diagram

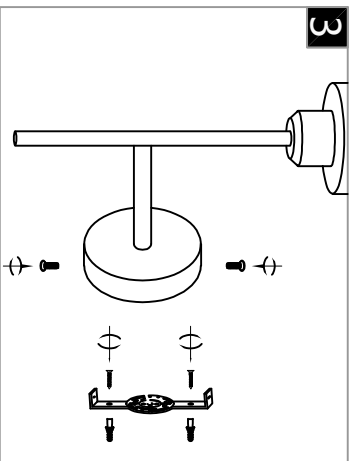
**Steps of installation**



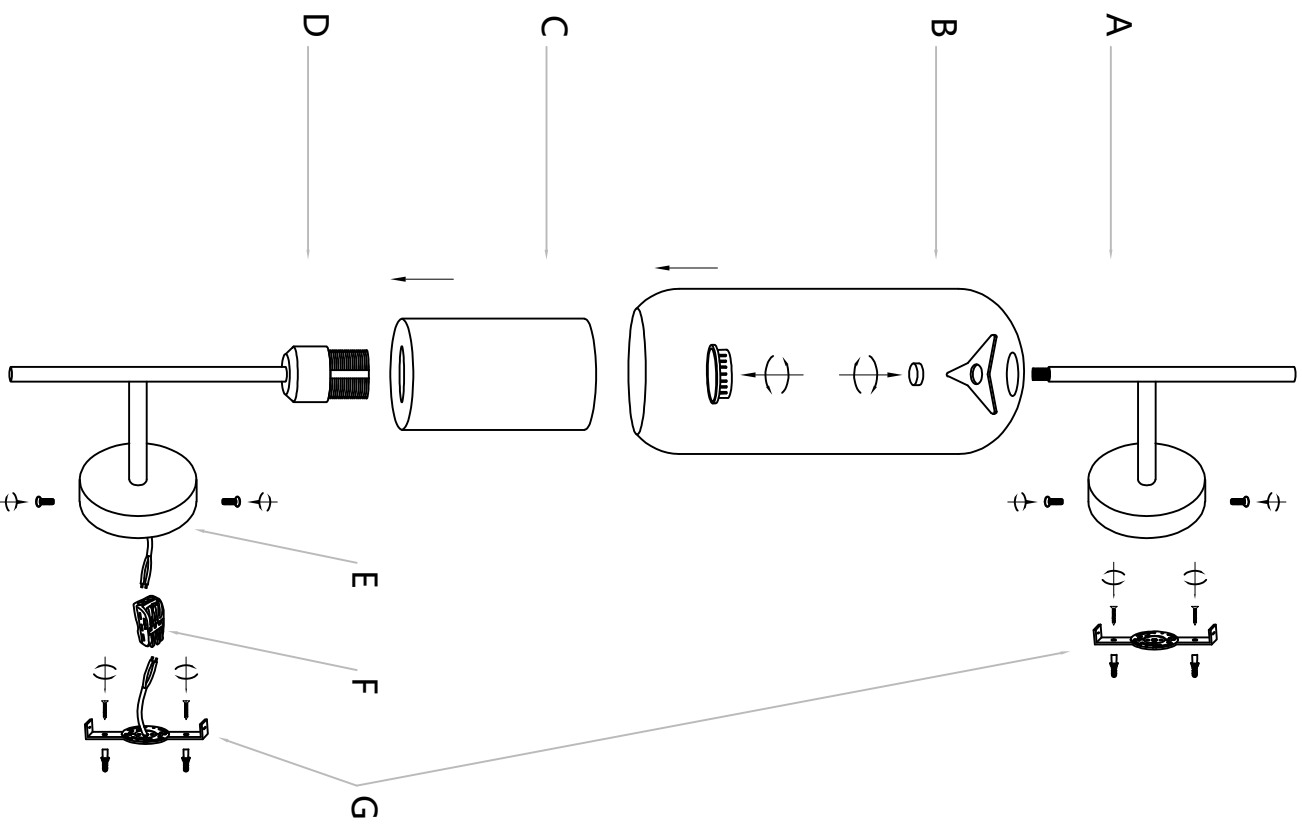
Fix the installation plate to the ceiling.



Connect the wires on the top cover to the wires on the ceiling and the terminal block.



Align the holes on the top cover with the holes on the installation plate, and tighten the screws.



First, align the holes of the lampshade (A) with the threaded rod of the lamp body (B) and tighten the nut. Then, align the holes of the glass lampshade (B) with the threaded rod of the lamp body (A) and tighten the nut. Next, fix the mounting plate (C) to the ceiling. Then, connect the wires on the top cover (E) to the wires on the ceiling and the terminal block (F). Next, align the holes on the top cover (E) with the holes on the mounting plate (G) and tighten the screws.