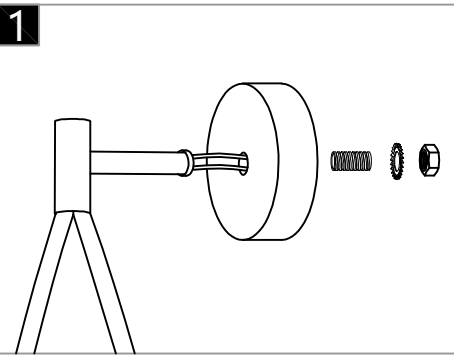


Warning:
 This product must be installed by personnel who are familiar with its structure and related hazards, in accordance with the installation specifications. This product is suitable for indoor installation.

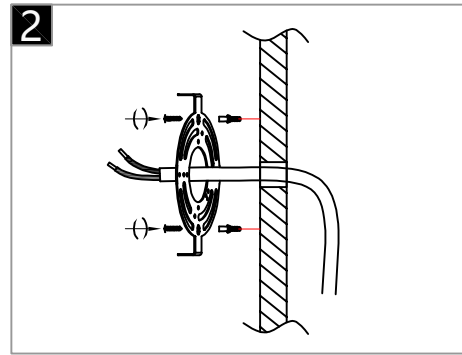


Product style diagram

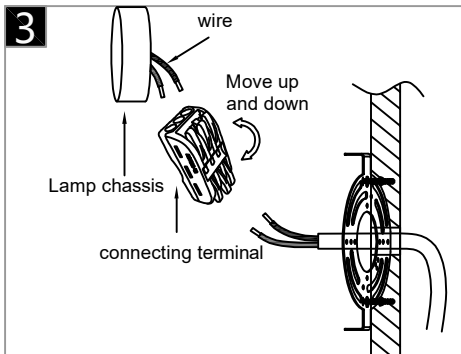
Steps of installation



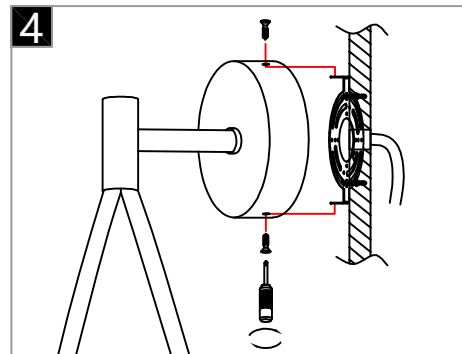
1
 Install the lamp body to the top cover, then tighten it with nuts and gasket, and then reserve the wire from the top cover



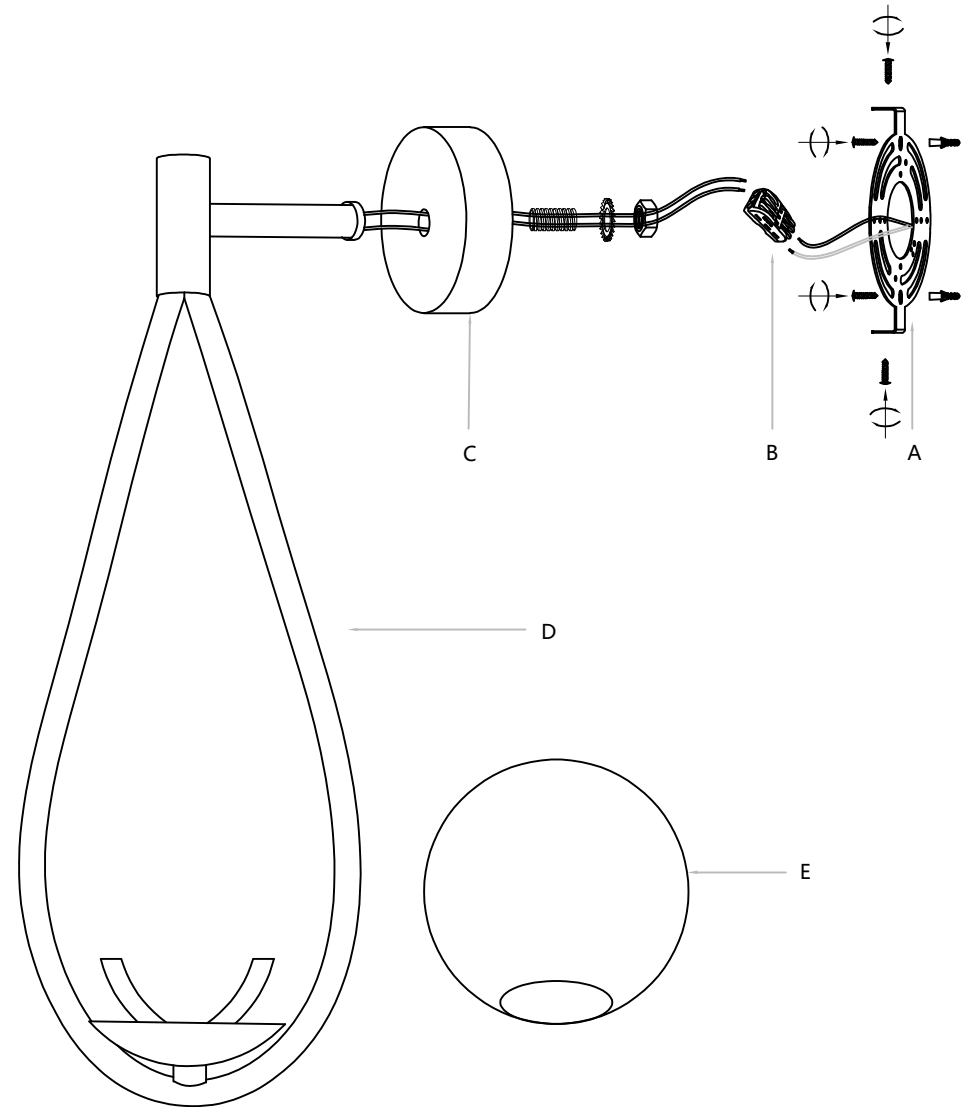
2
 Attach the mounting plate to the wall with self-tapping screws



3
 Connect the lamp and wall wire to the terminal, usually neutral wire (white), hair wire (black)



4
 Align the hole on the side of the lamp top cover with the hole on the mounting plate and secure it with screws



First install the lamp body (D) on the top cover (C), then fasten with nuts and gasket, and then reserve the wire on the top cover (C), and then insert the lamp shade (E) into the two spring pieces of the lamp body (D), and then fix the mounting plate (A) on the wall with self-tapping screws. Then connect the wire reserved for the lampshade (C) and the wire on the wall to the terminal (B), and then align the hole on the side of the top cover (C) with the hole on the side of the mounting plate (A) and fasten it with screws.