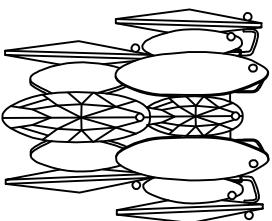
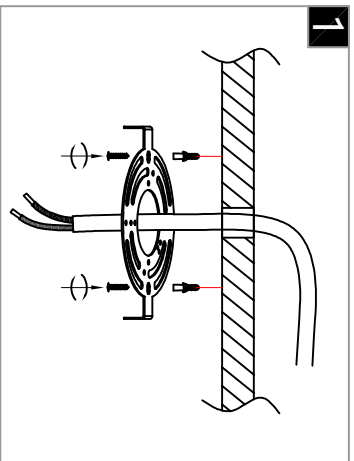


Warning:
This product must be installed by personnel who are familiar with its structure and related hazards, in accordance with the installation specifications. This product is suitable for indoor installation.

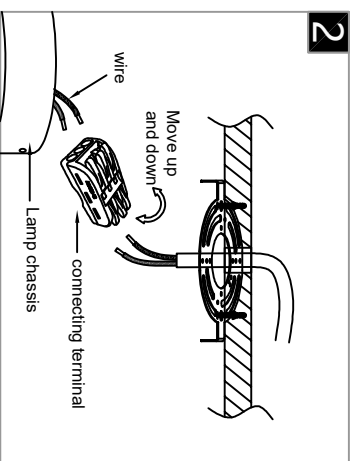


Product style diagram

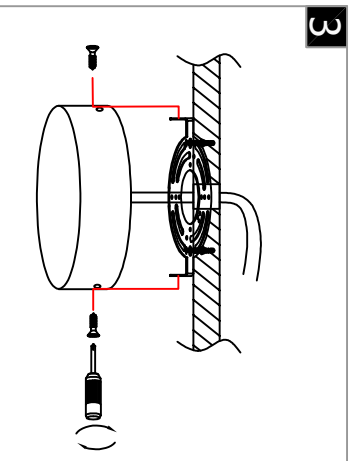
Steps of Installation



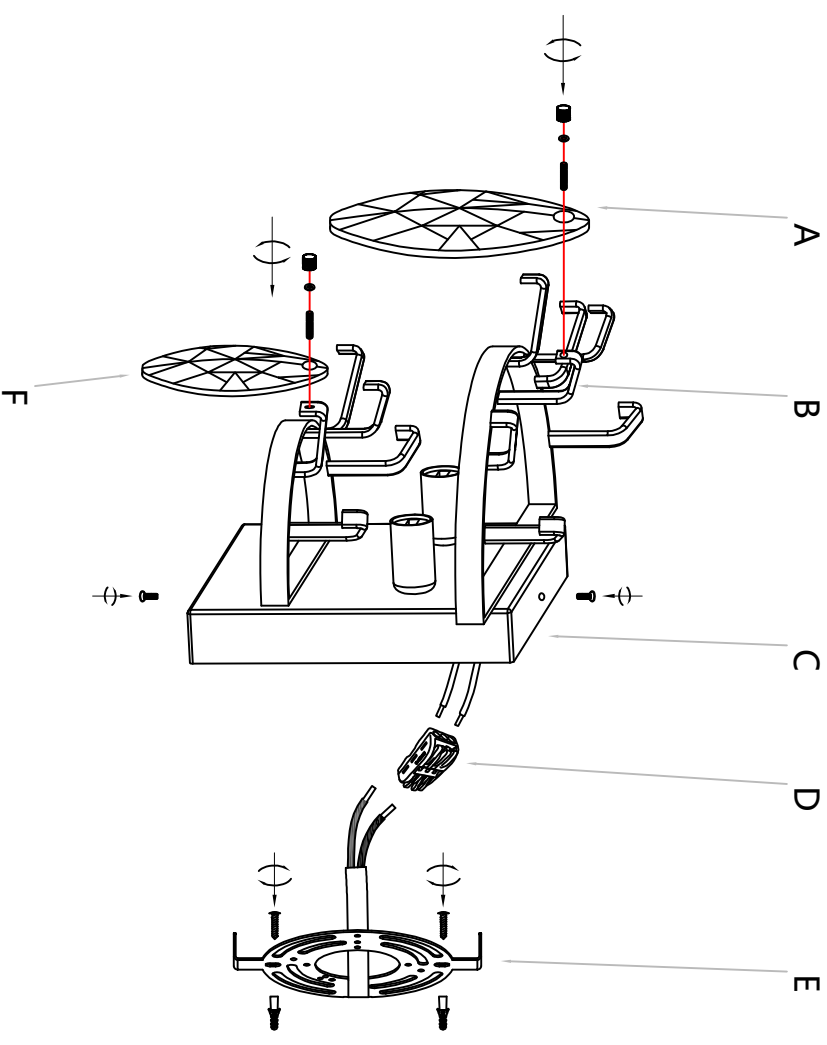
Fix the mounting plate to the ceiling using self-tapping screws.



Connect the wires inside the luminaire and ceiling to the terminal, usually neutral wire (white), hot wire (black)



Align the holes on the top cover with the holes on the mounting plate, and then secure them with screws.



First, fix the mounting plate (E) to the wall. Then, use the terminal block (B) to connect the wires of the top cover (C) to the wires of the ceiling. Next, align the holes of the top cover (C) with those of the mounting plate (E), and then tighten the screws. After that, install the bulb onto the top cover (C). Finally, use nuts and threaded rods to lock the glass lampshade (A) and the glass lampshade (F).