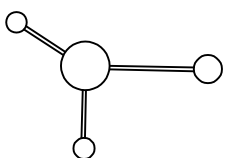


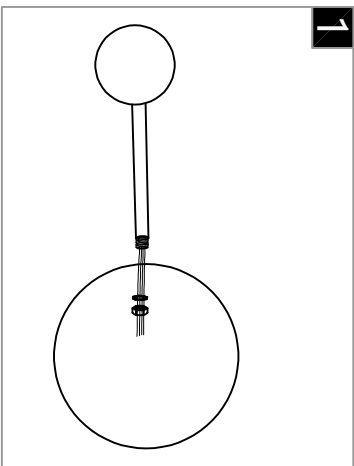
Warning:

This product must be installed by personnel who are familiar with its structure and related hazards. In accordance with the installation specifications. This product is suitable for indoor installation.

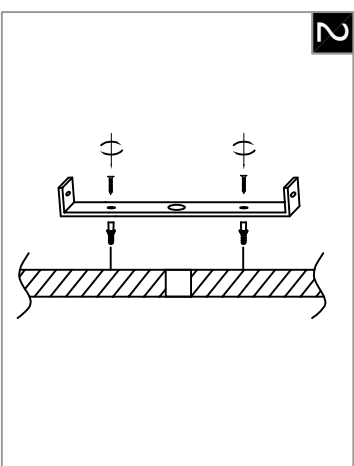


Product style diagram

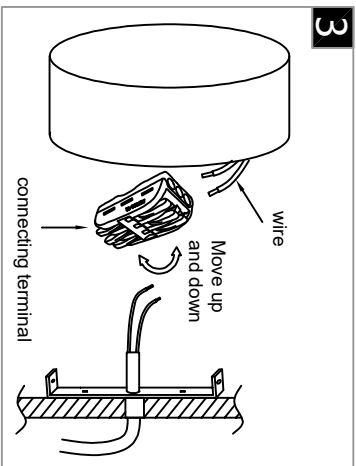
Steps of installation



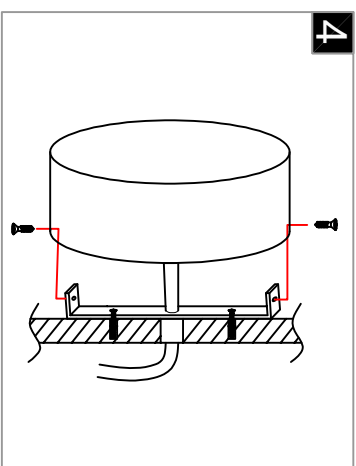
First, install the lamp arm onto the top cover.



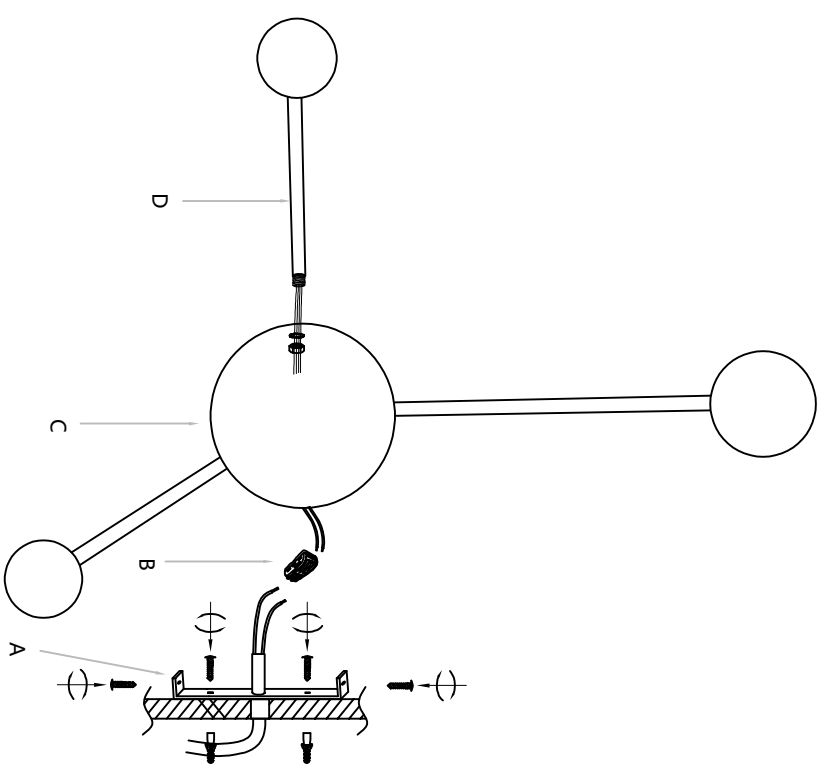
Attach the mounting plate to the wall with self-tapping screws



Connect the lamp and wall wire to the terminal, usually neutral wire (white), hair wire (black)



Align the hole on the side of the lamp top cover with the hole on the mounting plate and secure it with screws



First, install the lamp arm (D) onto the top cover (C). Use self-tapping screws to fix the mounting plate (A) to the wall. Then, connect the reserved wires on the lamp body top cover (C) to the reserved wires on the wall and the junction box (B). Finally, install the lamp body top cover (C) onto the mounting plate (A).