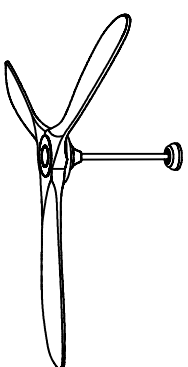


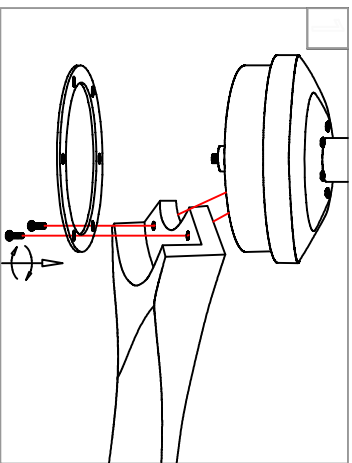


Warning:
This product must be installed by personnel who are familiar with its structure and related hazards, in accordance with the installation specifications. This product is suitable for indoor installation.

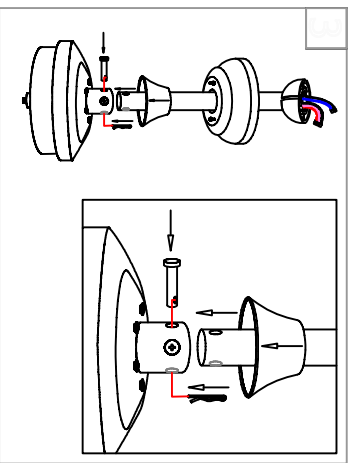


Product style diagram

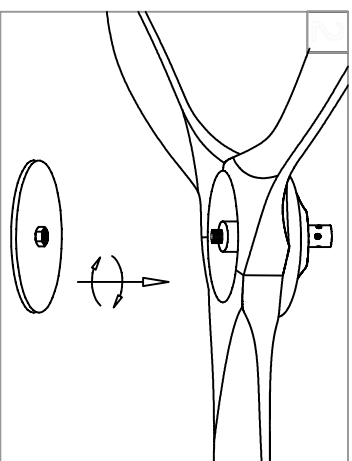
Steps of installation



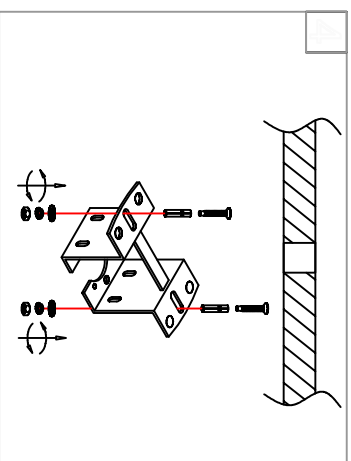
Align the fan blades with the holes at the bottom of the motor , then align the holes of the iron ring , and tighten the screws.



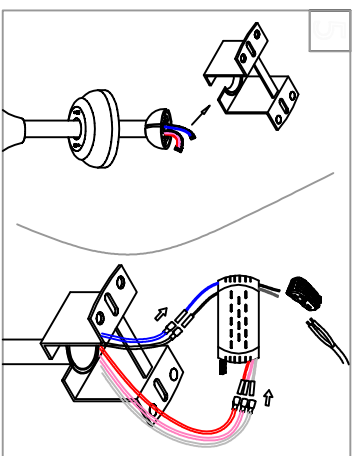
Pass the round tube through the top cover , the horn cover , and the wires, insert it into the cylinder on the lamp body, align it into the positions, insert the lock pin , then insert the pin into the lock pin , tighten the screws, and press the horn cover downward to cover it.



Align the nut of the circular piece with the threaded rod at the bottom of the motor , rotate the circular piece to tighten it.

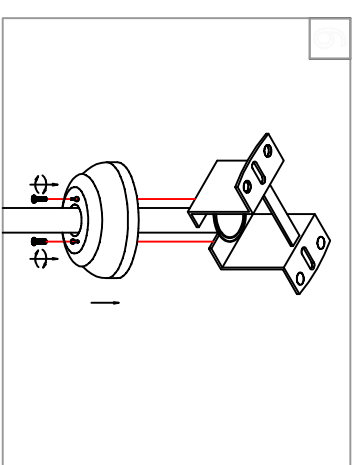


Fix the mounting bracket to the ceiling.

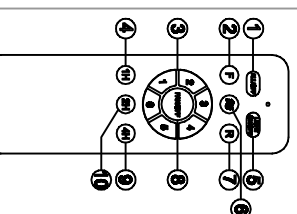
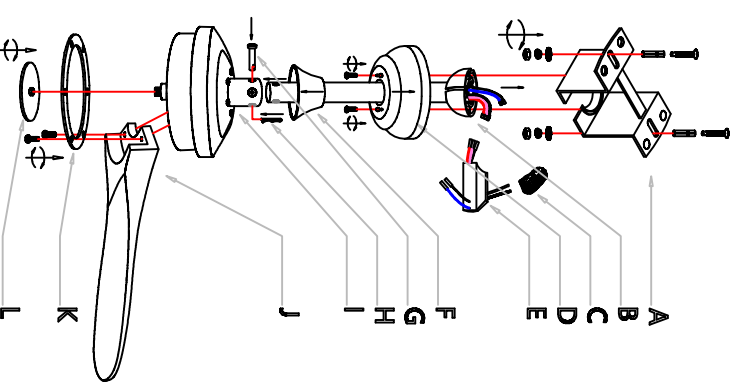


Insert the round tube into the installation bracket , (aligning the concave and convex positions), then connect the wires of the power driver and the wires coming out of the round tube , and connect the wires of the power driver and the wires on the ceiling using the terminal .

First, align the fan blades (J) with the holes at the bottom of the motor (I), then align the holes of the iron ring (K), and tighten the screws. Next, align the nut of the circular piece (L) with the threaded rod at the bottom of the motor (I), rotate the circular piece to tighten it. Then, insert the circular tube (B) through the top cover (D), the horn cover (F), and the wires, insert it into the cylindrical part on the lamp body (I), align the holes, insert the lock pin (H), and then insert the pin (G) into the lock pin (H), tighten the screws, and then press down the horn cover (F) and cover it in place. Subsequently, fix the installation bracket (A) to the ceiling. Then, insert the circular tube (B) into the installation bracket (A) (make sure the concave and convex positions are aligned), then connect the wires of the power driver (E) with the wires led out from the circular tube (B), and connect the wires of the power driver (E) to the wires on the ceiling through the terminal (C). Finally, align the holes of the top cover (D) with the holes at the bottom of the installation bracket (A), and tighten the screws.



Align the holes of the top cover with the holes at the bottom of the installation bracket , and tighten the screws.



- ① ALLOFF
- ② Forward
- ③ FAN Speed control gears 1-6
- ④ FAN 1-hour Timer
- ⑤ LIGHT ON/OFF
- ⑥ Natural Wind Mode
- ⑦ Reverse
- ⑧ FAN/OFF
- ⑨ FAN 4-hour Timer
- ⑩ FAN 2-hour Timer