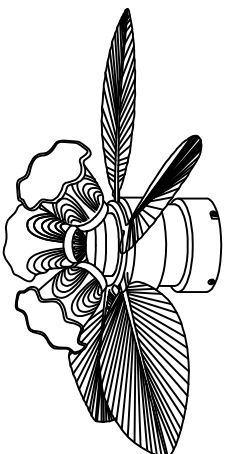
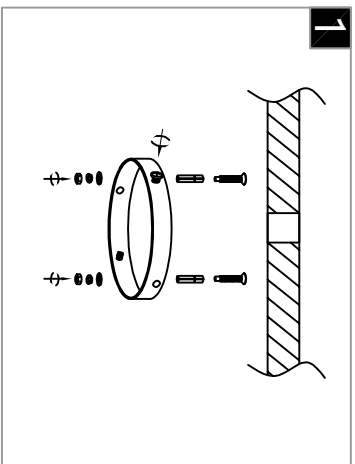


Warning:
This product must be installed by personnel who are familiar with its structure and related hazards, in accordance with the installation specifications. This product is suitable for indoor installation.

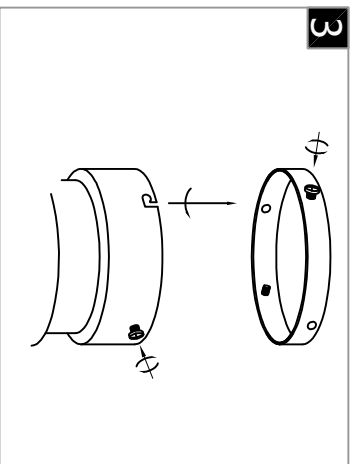


Product style diagram

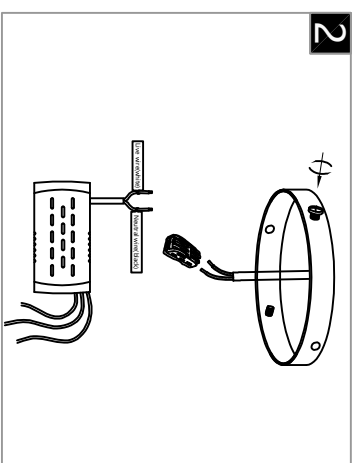
Steps of Installation



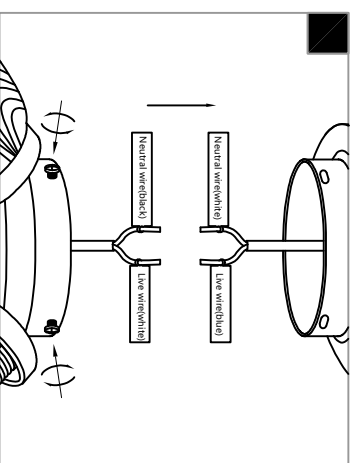
1 First, fix the mounting plate to the ceiling



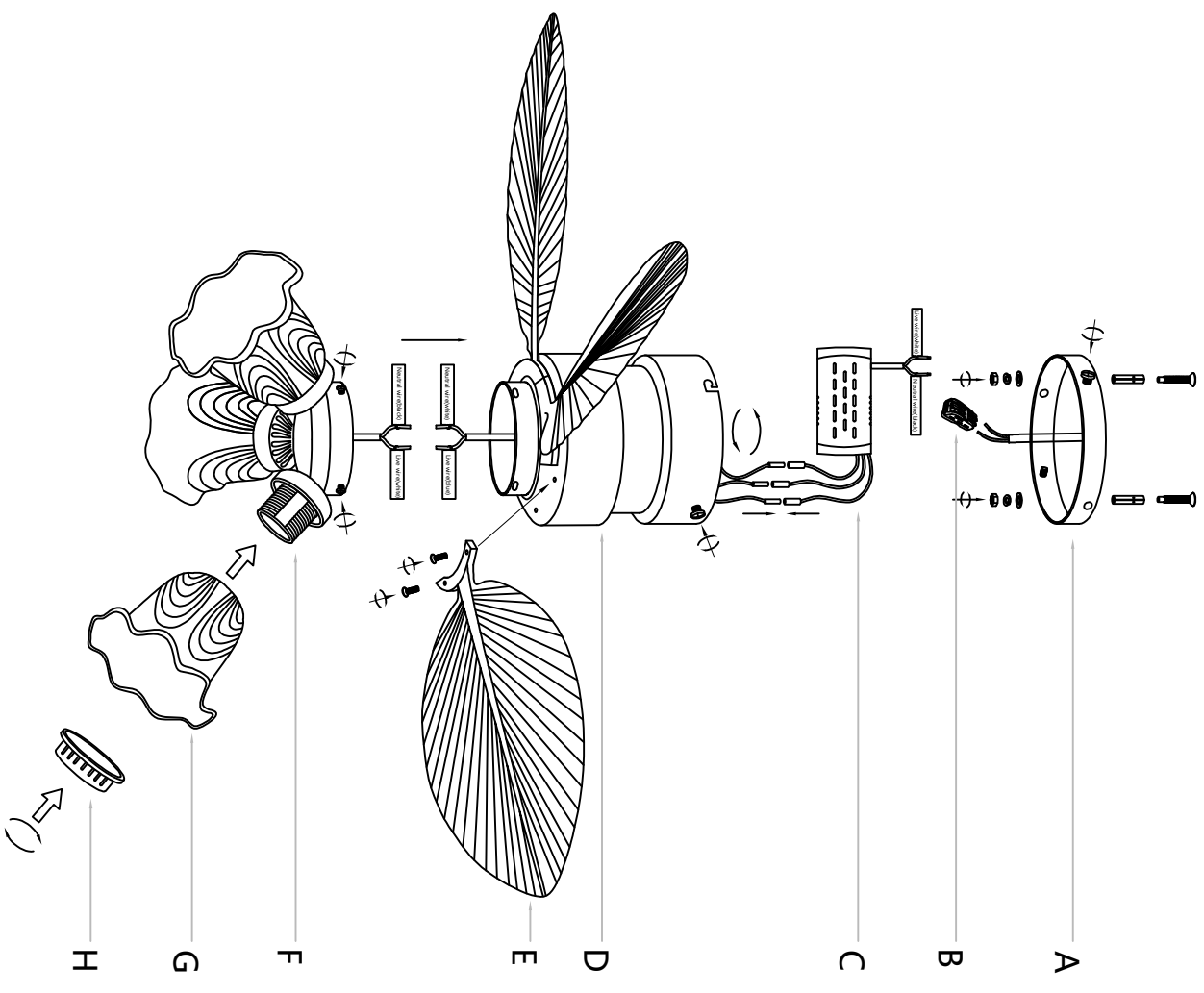
3 Then, align the holes on the lamp body with the holes on the mounting plate, rotate the lamp body to fix it, and tighten the screws.



2 Next, use the terminal blocks to connect the wires on the frequency converter to the wires on the ceiling.



3 Connect the wires of the lamp base and the lamp body, and tighten the screws.



First, install the fan blade (E) onto the lamp body (D) and tighten the screws. Next, connect the wires of the lamp base (F) and the lamp body (D), and tighten the screws. Then, connect the wires of the frequency converter (C) to the lamp body (D). Then, fix the mounting plate (B) on the ceiling. Next, use the terminal blocks (A) to connect the wires on the frequency converter (C) to the wires on the ceiling. Then, align the holes on the lamp body (D) with the holes on the mounting plate (A), rotate the lamp body (D) to fix it, and tighten the screws. Then, install the glass lampshade (G) onto the lamp base (F), and tighten the nut (H). Finally, install the bulb on the lamp base (F).