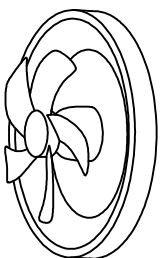


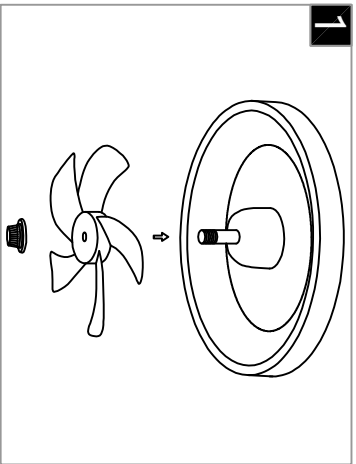
Warning:

This product must be installed by personnel who are familiar with its structure and related hazards, in accordance with the installation specifications. This product is suitable for indoor installation.

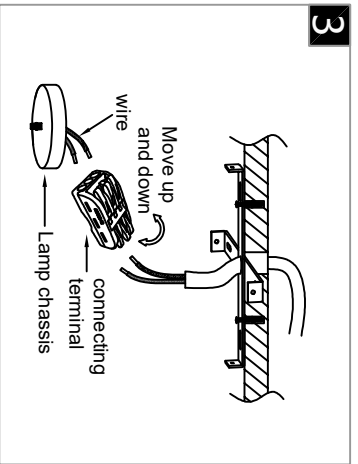


Product style diagram

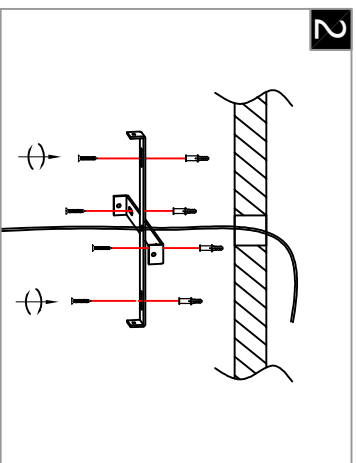
Steps of installation



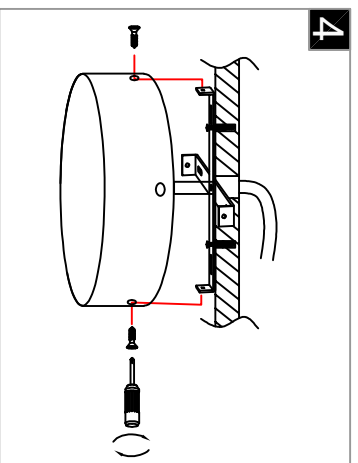
First, install the fan blades onto the lamp fixture, and then tighten the fan blades using nuts.



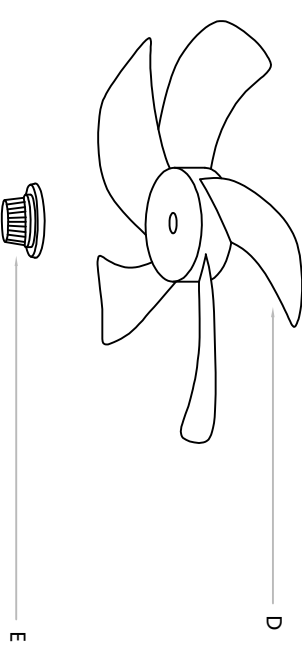
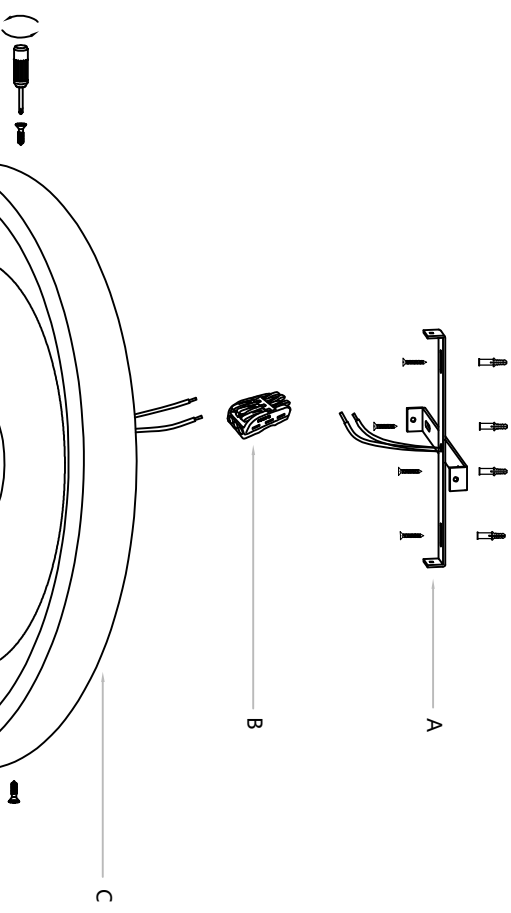
Connect the wires to the terminal blocks. Usually, the neutral wire (white) and the live wire (black).



Attach the mounting plate to the ceiling with self-tapping screws.



Align the hole on the side of the integral lamp canopy with the hole on the mounting plate and lock it tightly with screws.



First, install the fan blade (D) onto the lamp, then tighten the fan blade (D) with a nut (B). Next, fix the mounting plate to the ceiling using self-tapping screws. Then, connect the reserved wires on the lamp and the ceiling to the terminal block (B). Finally, align the holes on the top cover (C) with the holes on the mounting plate (A), and fix it with screws.