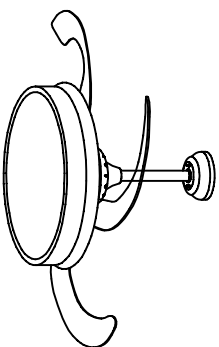


Installation Instructions



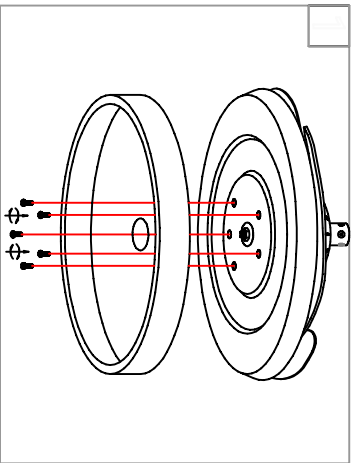
Model number: WM15265

Warning:
This product must be installed by personnel who are familiar with its structure and related hazards, in accordance with the installation specifications. This product is suitable for indoor installation.

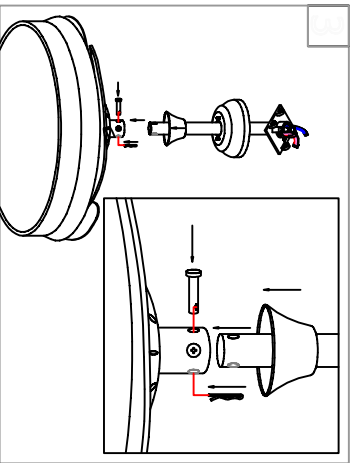


Product style diagram

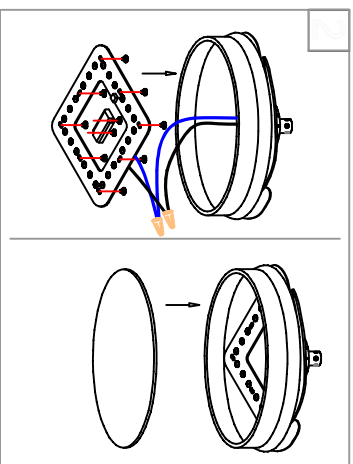
Steps of Installation



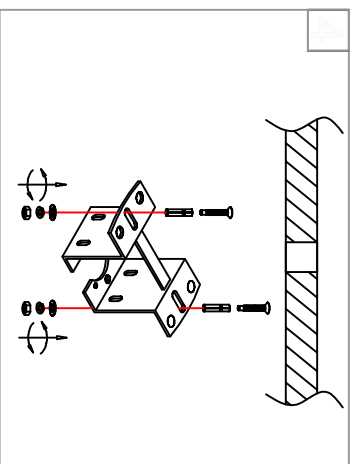
Align the holes of the disc with the screw holes at the bottom of the motor, and tighten the screws.



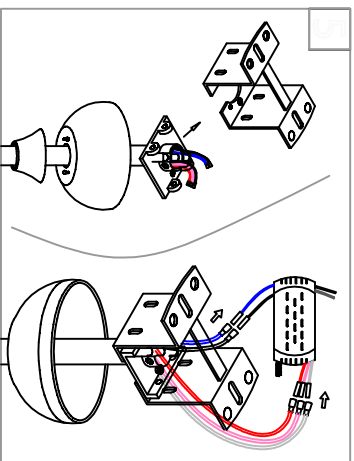
Pass the round tube through the top cover, the speaker cover, and the wires, and insert it into the cylinder on the top of the motor, aligning the hole positions, insert the lock pin, and then insert the pin into the lock pin, and tighten the screws. Press the speaker cover downward to cover it.



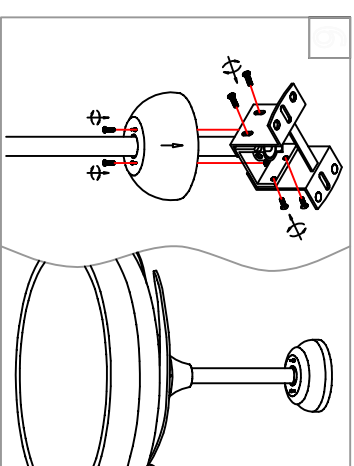
Install the magnets and onto the light source and the power supply, magnetically attaching them to the disc, and use the nuts to connect the wires at the bottom of the power supply and the motor. Insert the lamp cover into the disc.



Fix the mounting bracket to the ceiling.

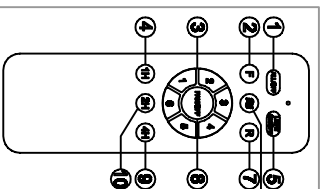
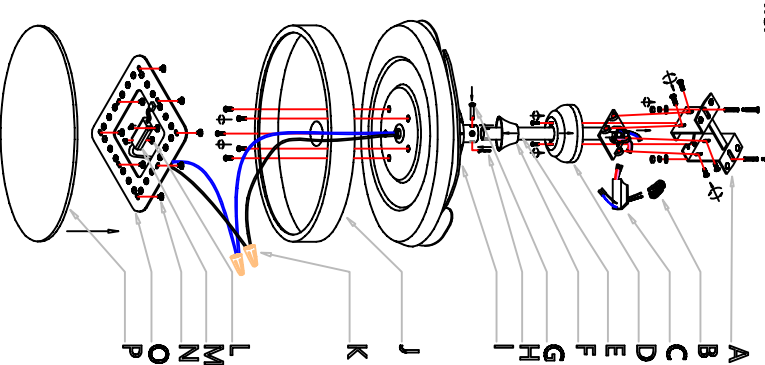


Insert the round tube into the mounting bracket, align the side screw holes, and tighten the screws. Then connect the wire of the fan power supply to the wire coming out of the round tube. Use the terminal to connect the wire of the fan power supply to the wire on the ceiling.



Align the top cover with the screw holes at the bottom of the mounting bracket, and tighten the screws.

First, align the holes of the disc (J) with the screw holes at the bottom of the motor (I), and tighten the screws. Then, install the magnets (L) and (M) onto the light source (O) and the power supply (N), magnetically attaching them to the disc (J), and use the nuts (K) to connect the wires at the bottom of the power supply (N) and the motor (I). Insert the lamp cover (P) into the disc (J). Next, pass the round tube (E) through the top cover (D), the speaker cover (F), and the wires, and insert it into the cylinder on the top of the motor (I), aligning the hole positions, insert the lock pin (G), and then insert the pin (H) into the lock pin (G), and tighten the screws. Press the speaker cover (F) downward to cover it. Then, fix the mounting bracket (A) to the ceiling. Next, insert the round tube (E) into the mounting bracket (A), align the side screw holes, and tighten the screws. Then connect the wire of the fan power supply (C) to the wire coming out of the round tube (E). Use the terminal (B) to connect the wire of the fan power supply (C) to the wire on the ceiling. Then, align the top cover (D) with the screw holes at the bottom of the mounting bracket (A), and tighten the screws.



- ① ALLOFF
- ② Forward
- ③ FAN Speed control gears 1-6
- ④ FAN 1-hour Timer
- ⑤ LIGHT ON/OFF
- ⑥ Natural Wind Mode
- ⑦ Reverse
- ⑧ FAN/OFF
- ⑨ FAN 4-hour Timer
- ⑩ FAN 2-hour Timer