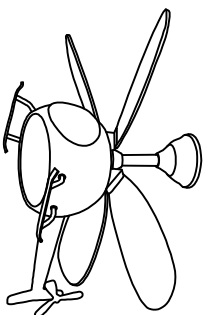
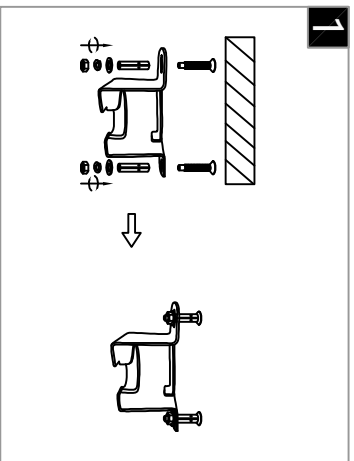


**Warning:**  
This product must be installed by personnel who are familiar with its structure and related hazards, in accordance with the installation specifications. This product is suitable for indoor installation.

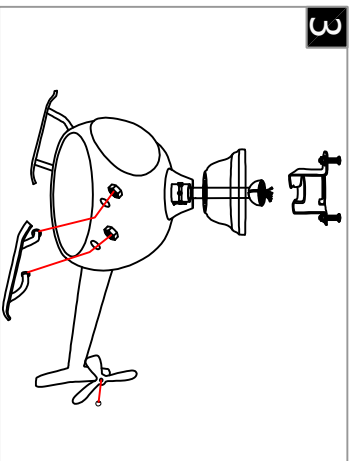


Product style diagram

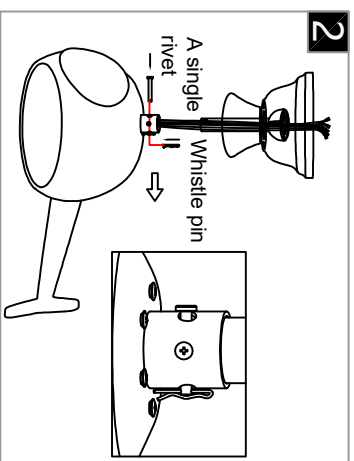
## Steps of Installation



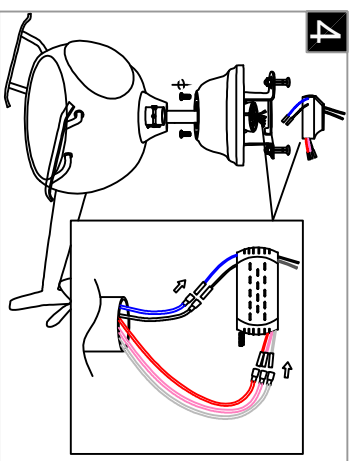
**1**  
Note: The ceiling must be able to bear a weight of 20 IBS. Then, follow the steps below to fix the mounting plate onto the ceiling.



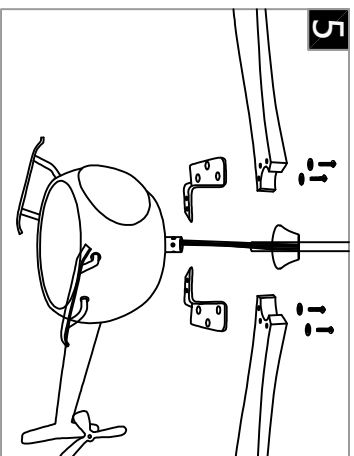
**3**  
Insert the connection rods of the lamp body into the suspension bracket one by one, then put the power driver into the top cover, and insert the reserved driving wire into the connection rods.



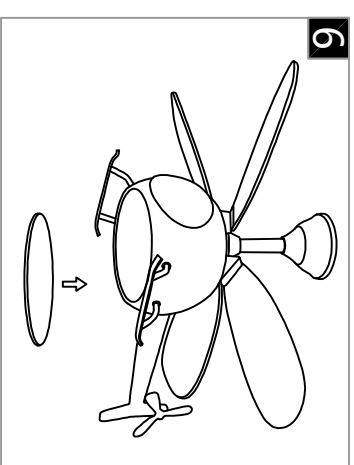
**2**  
Insert the wires on the motor from the connecting rod into the driver by color, then press the entire lamp body onto the motor, insert the iron pin, and tighten the screw.



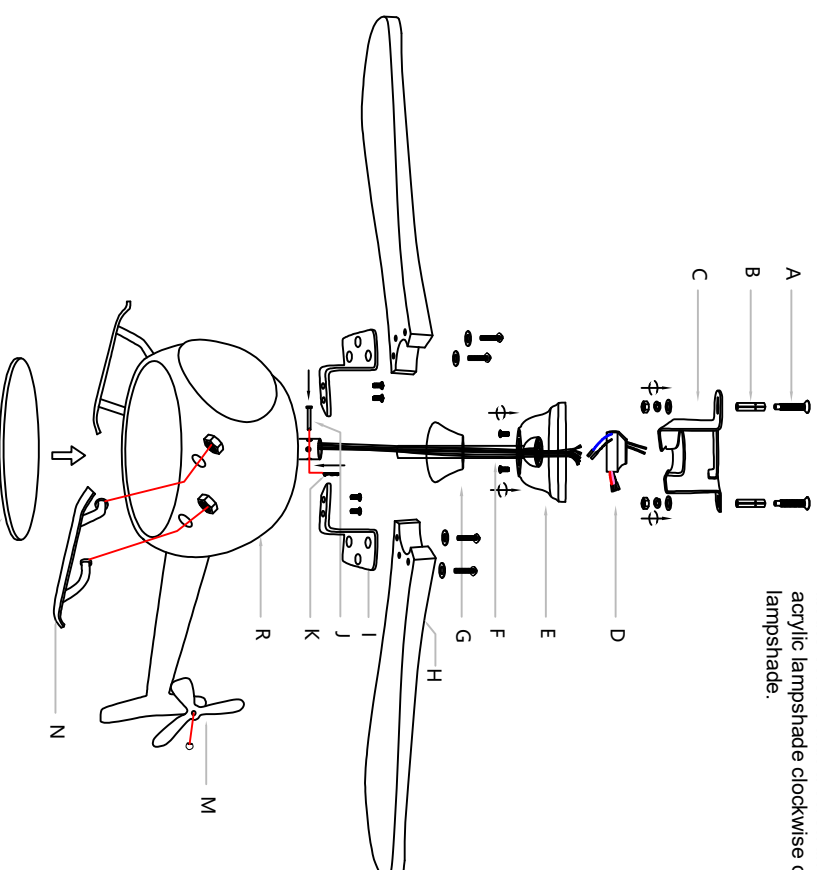
**4**  
Insert the connection rods of the lamp body into the mounting plate one by one, then put the power driver into the top cover, and insert the reserved driving wire into the connection rods.



**5**  
Lock the fan blades onto the fan motor according to their serial numbers, paying attention to the front and back of the fan blades. Then lock the screws.



**6**  
Connect the wires on the light source cover to the wires on the motor by color, align the screw holes on the motor with the light source cover, and then fix the screws with a screwdriver. Then twist the acrylic lampshade clockwise over the light source lampshade.



Attach the fan blades (H) to the bracket piece (I) using screws and washers, then lock them onto the motor (R). Next, install the motor support frame (N) inside the motor (R), and then secure it with nuts. Install the three-blade decoration (M) onto the tail of the motor (R). Finally, attach the acrylic lamp cover (O) to the bottom of the motor (R), and then align the opening of the motor (R) with the bottom cover (E) using the connecting rod (F). Then, pass the wires through the bottom cover (G) and the connecting rod (F) and insert them into the top cover (E). Use the pin (J) to align the holes of the connecting rod (F) and the motor (R) and insert it in. Then insert the pin (J) into the nail (K). Next, cover the screw (A) with the nail (B), then screw it into the ceiling. Use the mounting plate (C) to align the screw (B), then lock it with a nut and a washer. Use the lamp body connecting rod (F) head to suspend the lamp body onto the mounting plate (C). Then connect the wires on the lamp body to the power driver (D). Connect the neutral wire and the live wire above the power driver (D) to the wires above the ceiling according to the color. It is best to align the holes at the bottom of the top cover (E) with the holes on the mounting plate (C), and then tighten the screws.