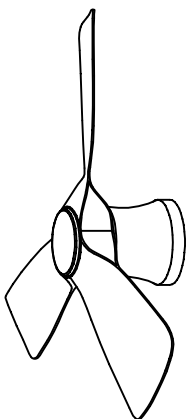
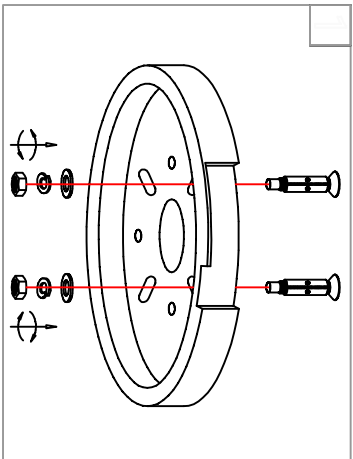


**Warning:**  
This product must be installed by personnel who are familiar with its structure and related hazards, in accordance with the installation specifications. This product is suitable for indoor installation.

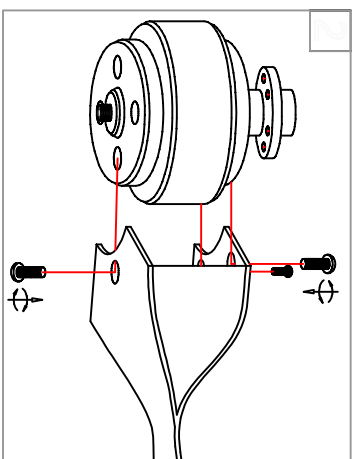


Product style diagram

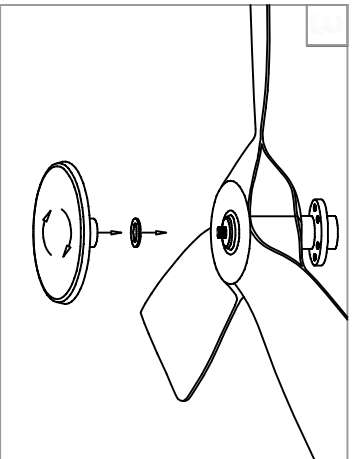
Steps of installation



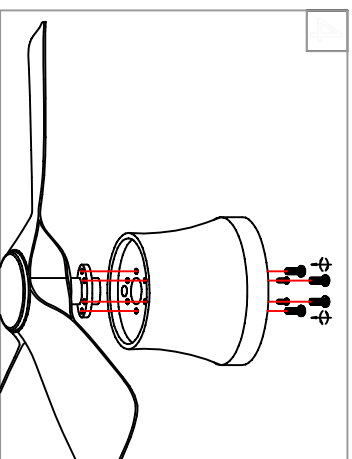
Fix the installation bracket on the ceiling.



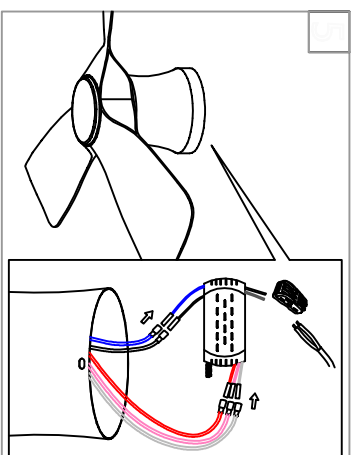
Align the fan blades with the screw holes at the top and bottom of the motor, and tighten the screws (the fan blades should overlap).



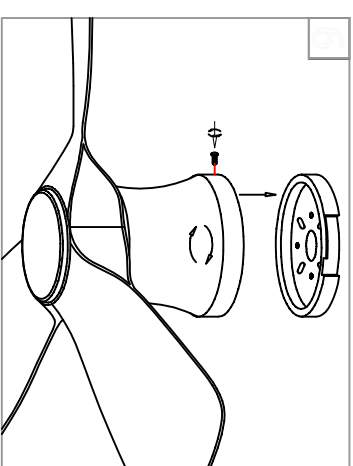
Place the ring on the threaded rod at the bottom of the motor, and then screw on the cap.



Align the screw holes of the top cover with those of the motor shaft, and tighten the screws.

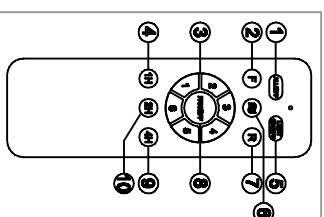
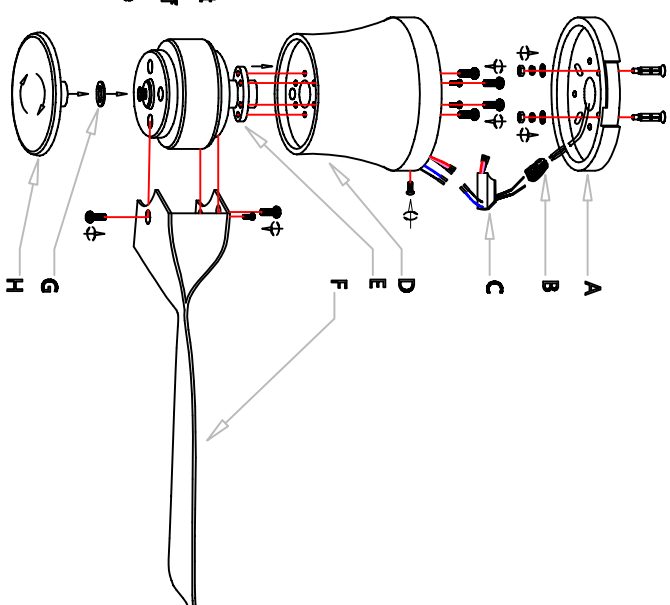


Connect the wire interface of the motor with the wire interface of the power supply, and use the quick connector to connect the wire of the power supply with the wire of the ceiling.



Align the protruding position inside the top cover with the notch of the installation plate, rotate and fix it, and then tighten the screws on the side of the top cover.

First, align the fan blades (F) with the screw holes at the top and bottom of the motor (E), and tighten the screws (the fan blades should overlap). Then, place the ring (G) on the threaded rod at the bottom of the motor (E), and then screw on the cap (H). Next, fix the mounting bracket (A) to the ceiling. Then, align the screw holes of the top cover (D) with those of the motor (E) shaft, and tighten the screws. Then, connect the wire interface of the motor (E) with the wire interface of the power supply (C), and use the quick connector (B) to connect the wire of the power supply (C) with the wire of the ceiling. Then, align the protruding part of the top cover (D) with the notch of the mounting plate (A), rotate and fix it, and then tighten the screws on the side of the top cover (D).



- ① ALLOFF
- ② Forward
- ③ FAN Speed control gears 1-6
- ④ FAN 1-hour Timer
- ⑤ LIGHT ON/OFF
- ⑥ Natural Wind Mode
- ⑦ Reverse
- ⑧ FAN/OFF
- ⑨ FAN 4-hour Timer
- ⑩ FAN 2-hour Timer