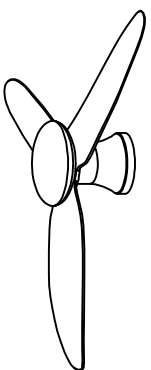
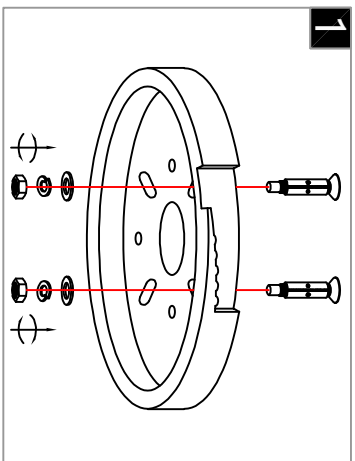


Warning:
This product must be installed by personnel who are familiar with its structure and related hazards, in accordance with the installation specifications. This product is suitable for indoor installation.

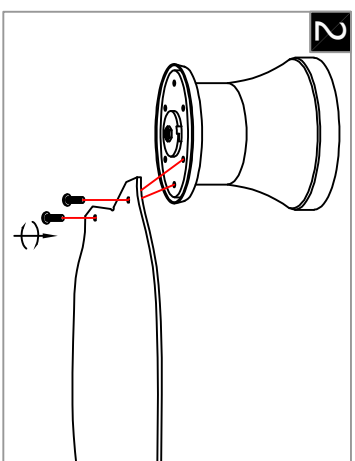


Product style diagram

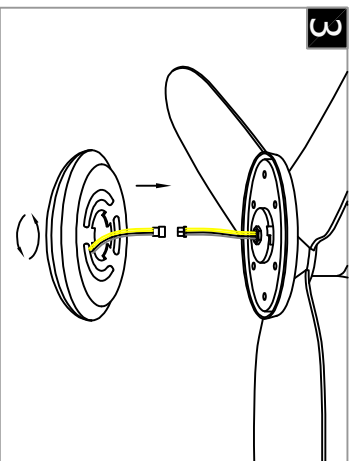
Steps of installation



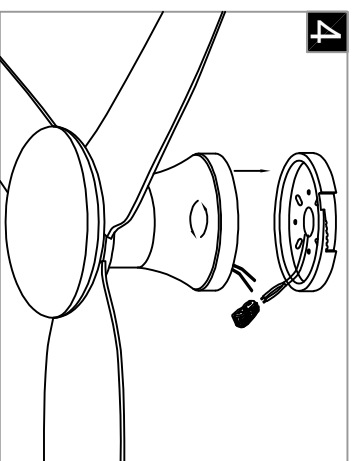
Fix the installation bracket on the ceiling.



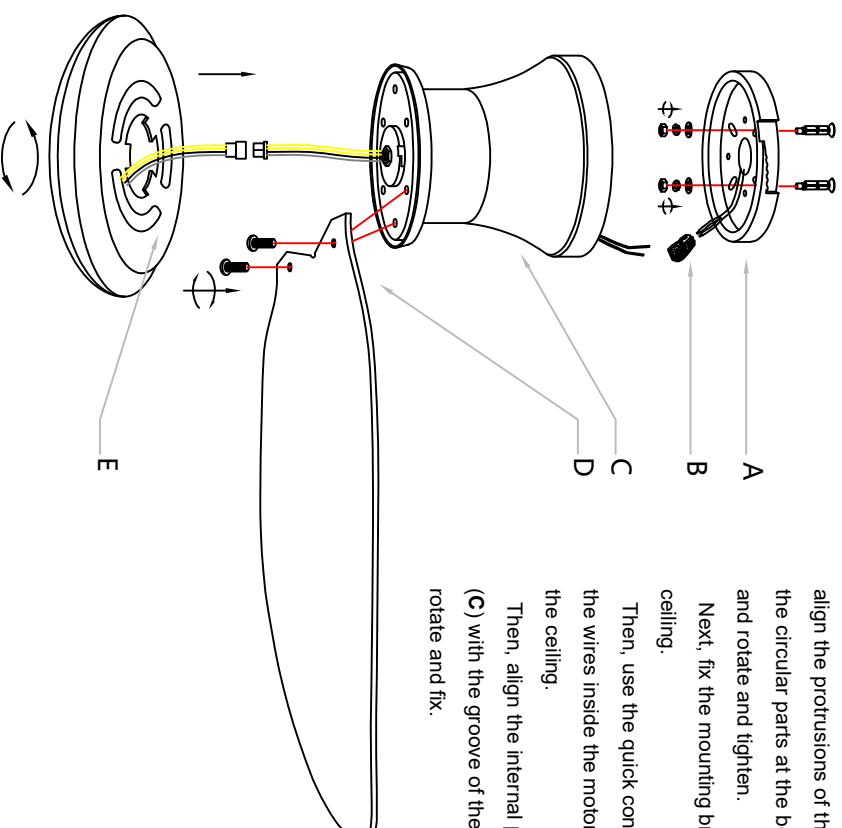
Align the fan blades with the screw holes at the bottom of the motor and tighten the screws.



Connect the wires of the lampshade to the wires at the bottom of the motor, and align the protrusions of the lampshade with the circular parts at the bottom of the motor, and rotate and tighten.



Use the quick connector to connect the wires inside the motor to the wires on the ceiling align the internal protrusion of the motor with the groove of the mounting plate, rotate and fix.



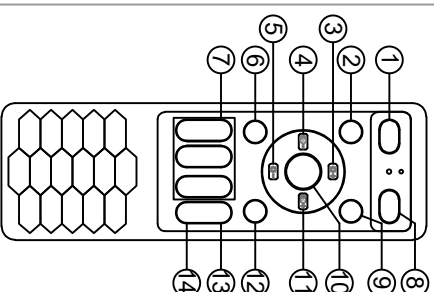
First, align the fan blades (D) with the screw holes at the bottom of the motor (C) and tighten the screws.

Then, connect the wires of the lampshade (E) to the wires at the bottom of the motor (C), and align the protrusions of the lampshade (E) with the circular parts at the bottom of the motor (C), and rotate and tighten.

Next, fix the mounting bracket (A) to the ceiling.

Then, use the quick connector (B) to connect the wires inside the motor (C) to the wires on the ceiling.

Then, align the internal protrusion of the motor (C) with the groove of the mounting plate (A), rotate and fix.



- ① LIGHT ON/OFF
- ② Change the color temperature
- ③ Brightness +
- ④ Color temperature -
- ⑤ Brightness -
- ⑥ Forward/Reverse
- ⑦ FAN Speed control gears 1-6
- ⑧ ALLOFF
- ⑨ Night light mode
- ⑩ Connect the lighting signal
- ⑪ Color temperature +
- ⑫ FAN operates on a 2-hour/4-hour timer
- ⑬ Natural Wind Mode
- ⑭ FAN/OFF