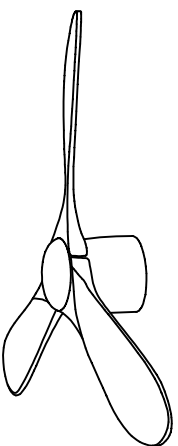
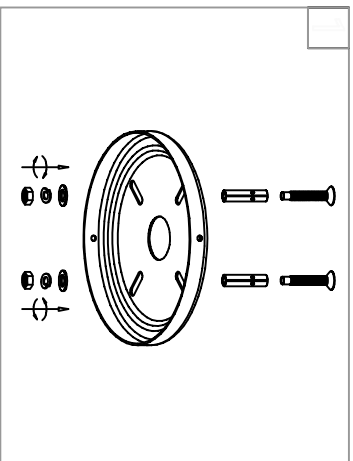


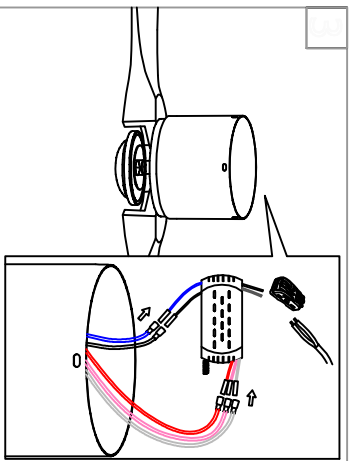
**Warning:**  
This product must be installed by personnel who are familiar with its structure and related hazards. In accordance with the installation specifications. This product is suitable for indoor installation.



Steps of installation

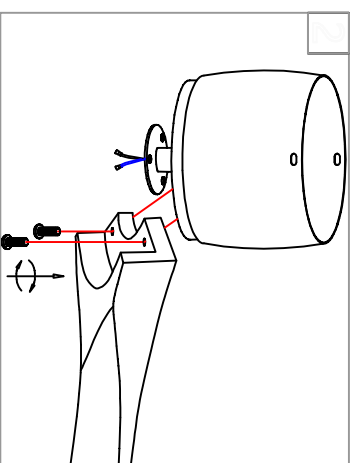


Fix the installation bracket on the ceiling.

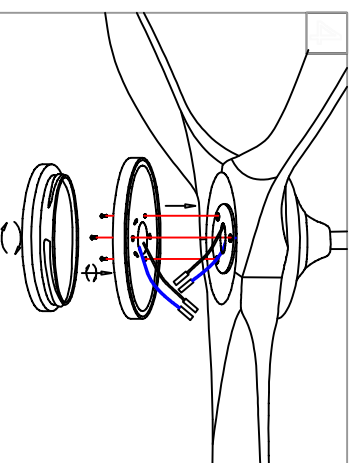


Connect the wires of the power driver with the wires led out from the cover. Connect the wires of the power driver to the wires on the ceiling through terminal.

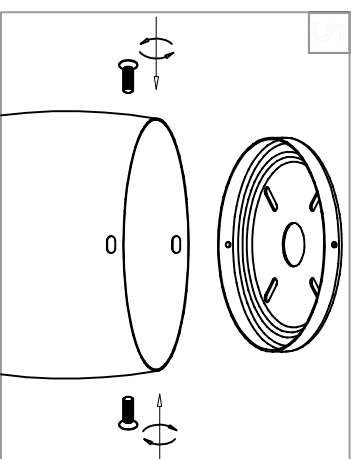
Product style diagram



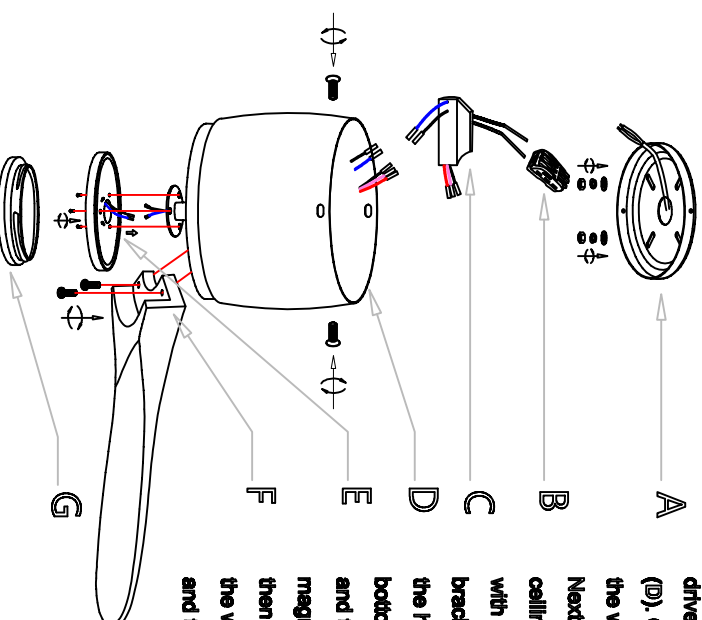
Align the fan blades with the holes at the bottom of the cover, and tighten the screws.



Align the hole of the disc with the hole of the motor shaft, and tighten the screws. Attach the light source magnetically to the disc, then connect the wires of the lamp to the wires of the motor. Finally, rotate and tighten the lampshade onto the disc.



Align the holes of the cover with the holes on the side of the installation bracket, and tighten the screws.



First, align the fan blades (F) with the holes at the bottom of the cover (D), and tighten the screws. Then, connect the wires of the power driver (C) with the wires led out from the cover driver (B) with the wires on the ceiling through terminal (A). Next, fix the installation bracket (A) on the ceiling. Then, align the holes of the cover (D) with the holes on the side of the installation bracket (A), and tighten the screws. Then, align the hole of the disc (E) with the hole of the bottom of the cover (D) and the rotating shaft, and tighten the screws. Attach the light source magnetically to the interior of the disc (E), and then connect the wires at the rotating shaft with the wires at the connection point. Finally, rotate and tighten the lampshade (G) onto the disc (E).

① ALLOFF	⑥ Natural Wind Mode
② Forward	⑦ Reverse
③ FAN Speed control gears 1-6	⑧ FAN/OFF
④ FAN 1-hour Timer	⑨ FAN 4-hour Timer
⑤ LIGHT ON/OFF	⑩ FAN 2-hour Timer