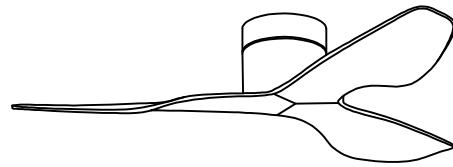
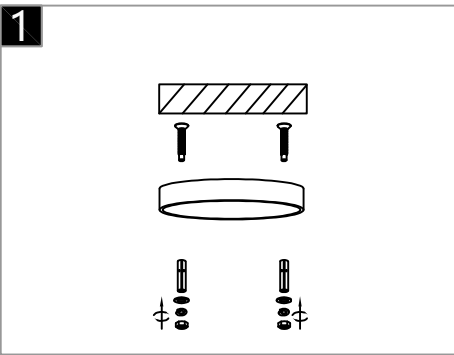


Warning:
This product must be installed by personnel who are familiar with its structure and related hazards, in accordance with the installation specifications. This product is suitable for indoor installation.

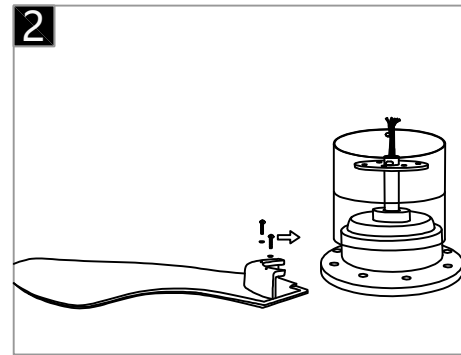


Product style diagram

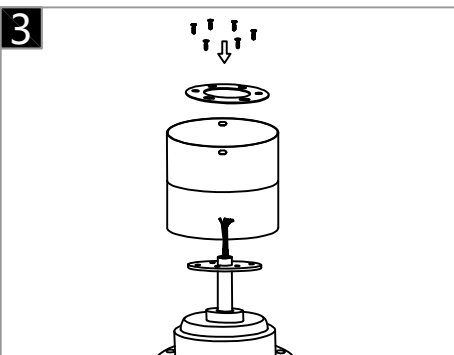
Steps of installation



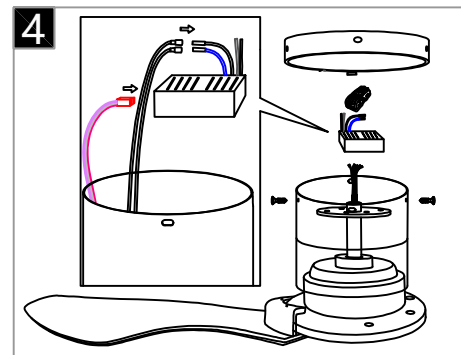
Note: The ceiling must be able to bear a weight of 20 IBS. Then, follow the steps below to fix the mounting plate onto the ceiling.



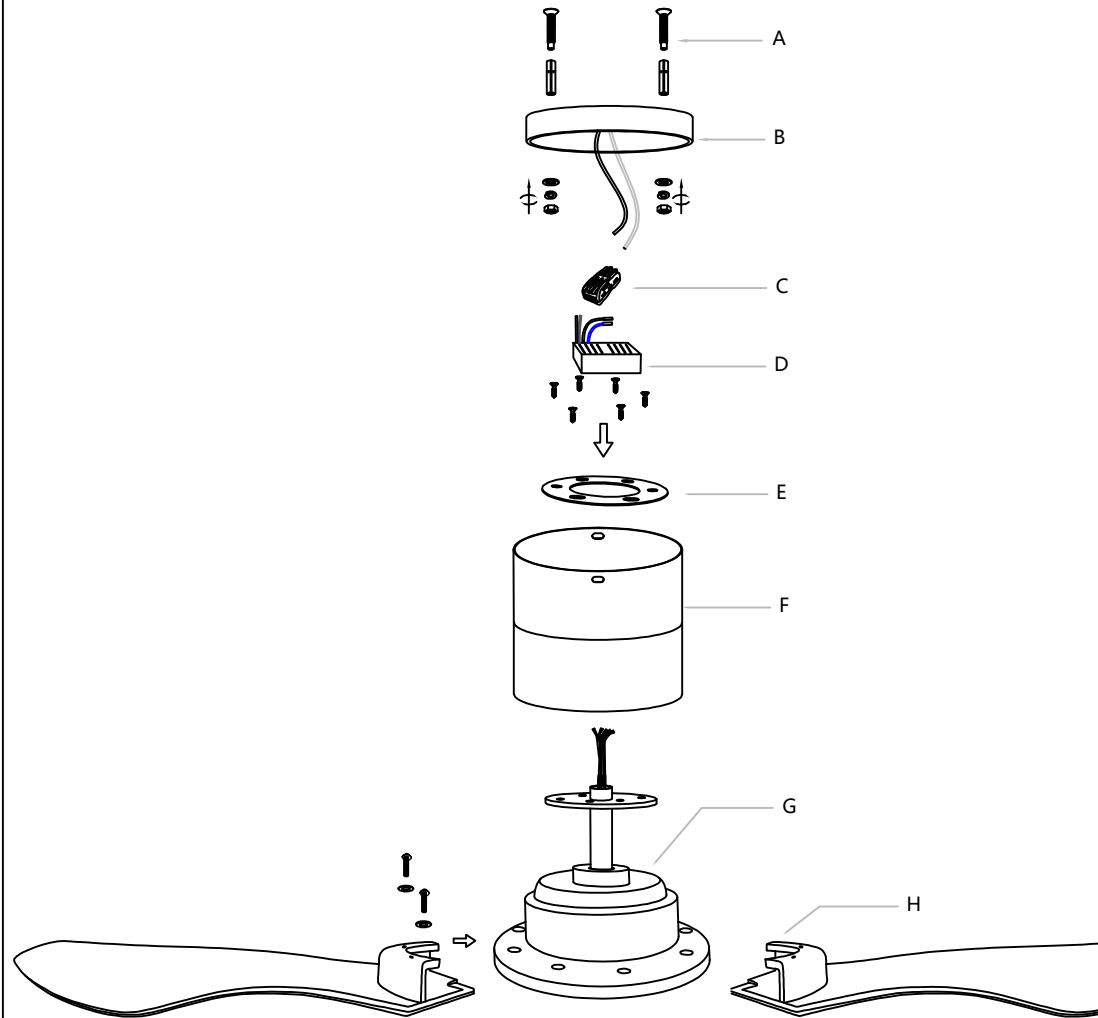
Install the fan blades onto the motor using screws and washers.



Then insert the gaskets into the upper cover and install them onto the motor.



Then, install the reserved wires on the motor according to their colors onto the power driver. Next, connect the reserved wires to the power supply, and connect the reserved wires on the power supply to the reserved wires on the mounting plate and then to the terminals.



Install the fan blades (H) onto the motor (G) using screws and washers. Then, insert the spacer (E) into the upper cover (F) and attach it to the motor (G). Next, connect the reserved wires on the motor (G) to the power driver (D) according to their colors. Then, connect the reserved wires to the power (D), and connect the reserved wires on the power (D) to the reserved wires on the mounting plate to the terminal (C). Insert the metal nails into the ceiling to align the screws (A) with the mounting plate (B), and fix them with nuts and washers. Finally, align the upper cover (F) of the lamp body with the mounting plate (B), and tighten the screws on both sides.