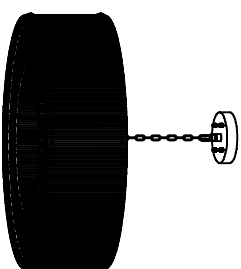
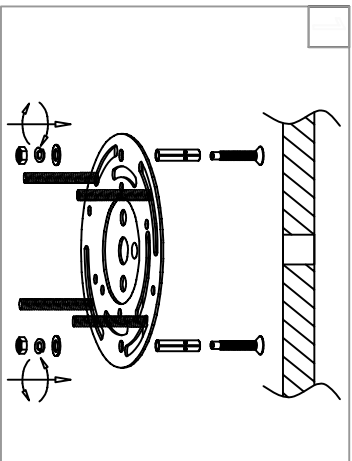


Warning:
This product must be installed by personnel who are familiar with its structure and related hazards. In accordance with the installation specifications. This product is suitable for indoor installation.

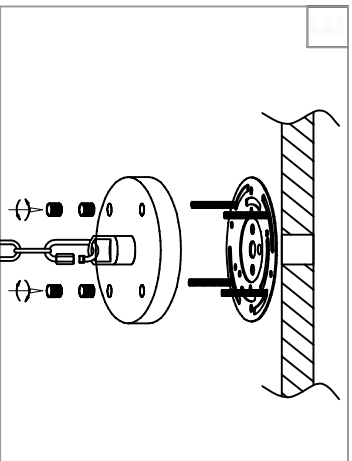


Product style diagram

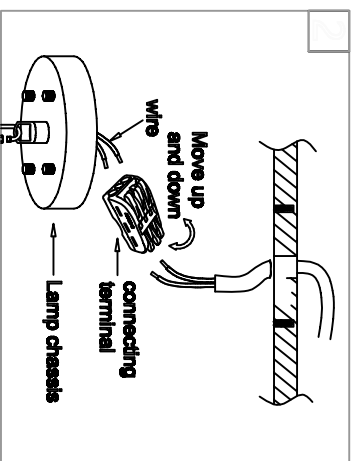
Steps of installation



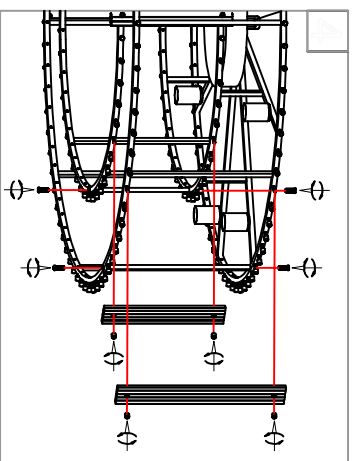
Place the mounting plate on the ceiling.



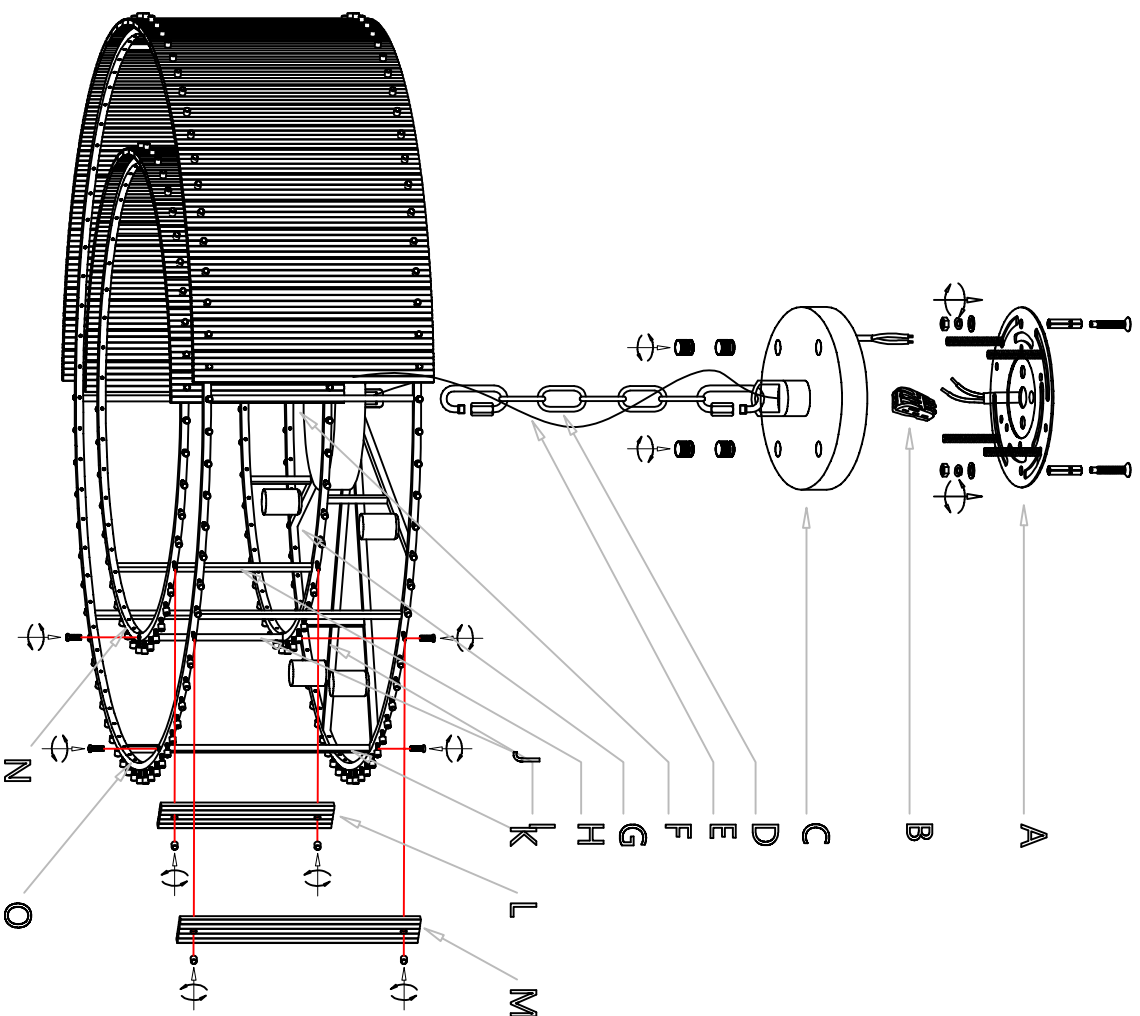
Align the holes of the top cover with the threaded rod of the mounting plate, tighten the nut.



Use the terminal blocks to connect the wires of the top cover and those on the ceiling.



Align the holes in the lampshade, the threaded rod on the small ring, and tighten the nut. Then, install the bulb on the lamp holder. Then, align the holes in the lampshade, the threaded rods on the large ring, and tighten the nuts.



First, align the holes of the short square tube (I), the small ring of the lamp body and the holes on the small ring (N), and tighten the screws. Next, align the holes of the rectangular tube (K) with the holes on the large ring and large ring (O) of the lamp body, and tighten the screws. Then, hook the hooks at both ends of the chain (Q), one end is hooked to the lamp body, the other end is hooked to the top cover (C), tighten the nut on the hook, and then pass the wire through the chain (D) and the top cover (Q). Next, install the board (A) on the ceiling. Then, use terminal (B) to connect the wires on the top cover (C) and the wires on the ceiling. Next, align the hole in the top cover (C) with the threaded rod of the mounting plate (A) and tighten the nut. Next, align the holes in the lampshade (L), the threaded rod on the small ring (N), and tighten the nut. Then, install the bulb on the lamp holder. Then, align the holes in the lampshade (M), the threaded rods on the large ring (O), and tighten the nuts.