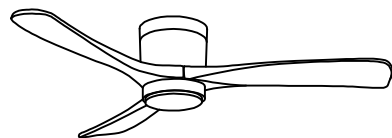
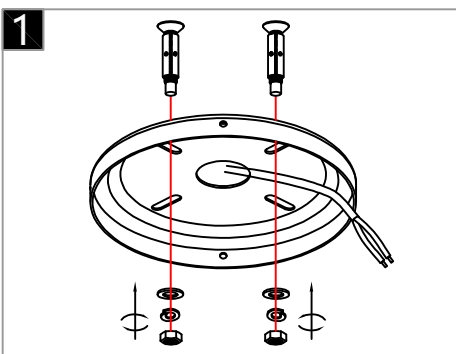


**Warning:**  
This product must be installed by personnel who are familiar with its structure and related hazards, in accordance with the installation specifications. This product is suitable for indoor installation.

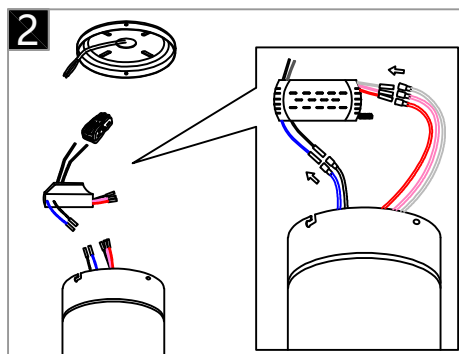


Product style diagram

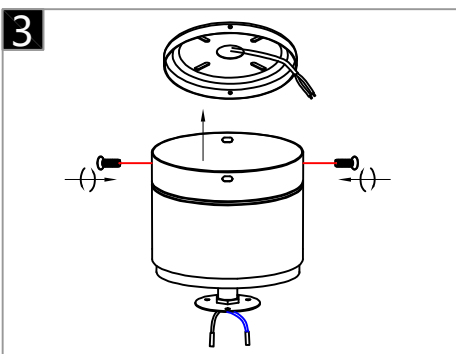
Steps of installation



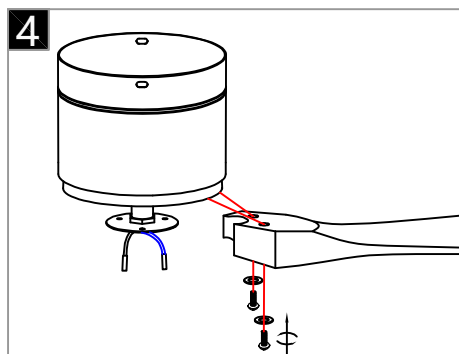
Fix the mounting plate to the ceiling.



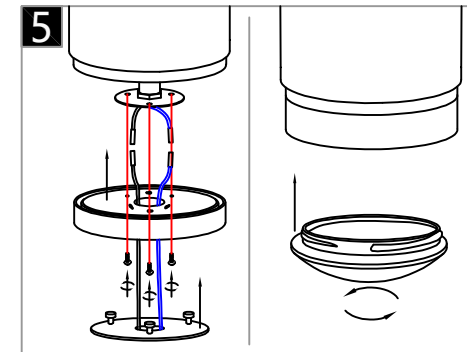
Use the quick connector to connect the wires of the ceiling with those of the controller. Then connect the wires of the same color.



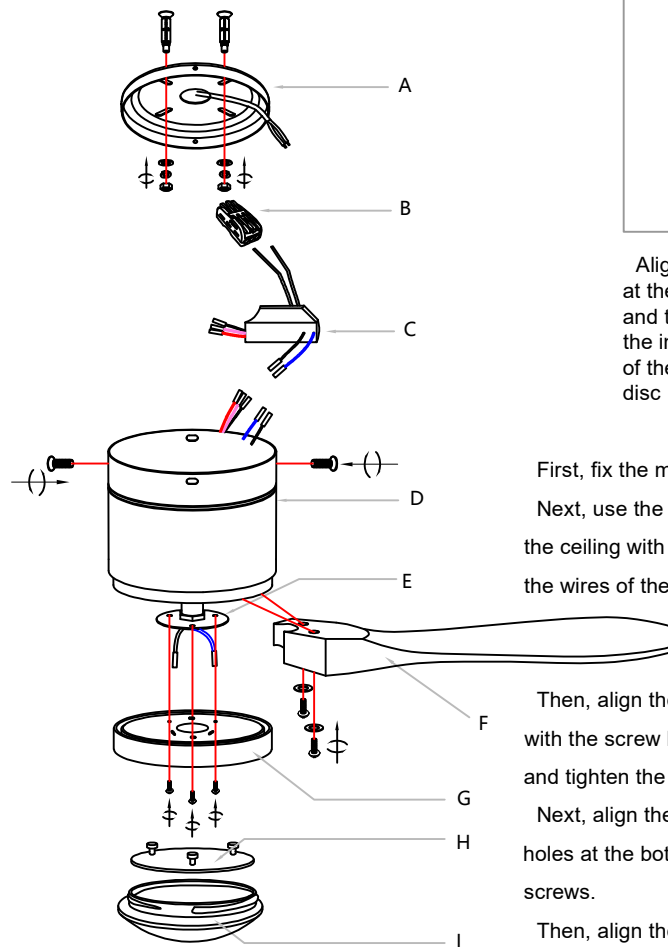
Align the holes on the side of the motor body with the screw holes on the side of the mounting plate, and tighten the screws.



Align the holes of the fan blades with the screw holes at the bottom of the motor body, and tighten the screws.



Align the holes of the disc with the screw holes at the bottom of the motor, tighten the screws, and then magnetically attach the light source to the interior of the disc. Finally, align the grooves of the lampshade with the protrusions inside the disc, rotate and lock it.

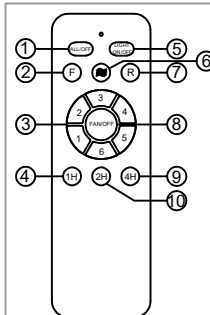


First, fix the mounting plate (A) to the ceiling.  
Next, use the quick connector (B) to connect the wires of the ceiling with those of the controller (C). Then connect the wires of the same color.

Then, align the holes on the side of the motor body (D) with the screw holes on the side of the mounting plate (A), and tighten the screws.

Next, align the holes of the fan blades (F) with the screw holes at the bottom of the motor body (D), and tighten the screws.

Then, align the holes of the disc (G) with the screw holes at the bottom of the motor (E), tighten the screws, and then magnetically attach the light source (H) to the interior of the disc (G). Finally, align the grooves of the lampshade (I) with the protrusions inside the disc (G), rotate and lock it.



- ① ALLOFF
- ② Forward
- ③ FAN Speed control gears 1-6
- ④ FAN 1-hour Timer
- ⑤ LIGHT ON/OFF
- ⑥ Natural Wind Mode
- ⑦ Reverse
- ⑧ FAN/OFF
- ⑨ FAN 4-hour Timer
- ⑩ FAN 2-hour Timer