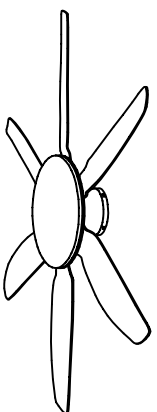


# Installation Instructions



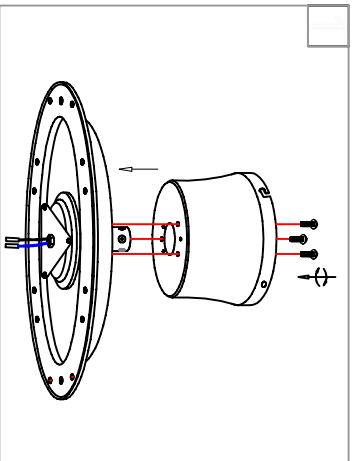
Model number: WM5191

**Warning:**  
This product must be installed by personnel who are familiar with its structure and related hazards, in accordance with the installation specifications. This product is suitable for indoor installation.

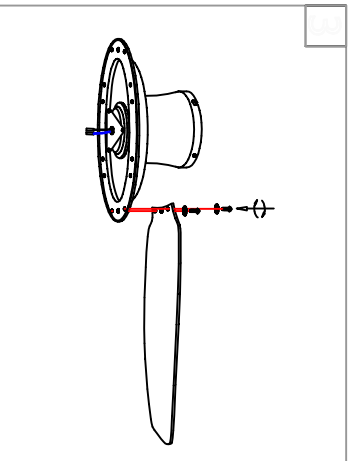


Product style diagram

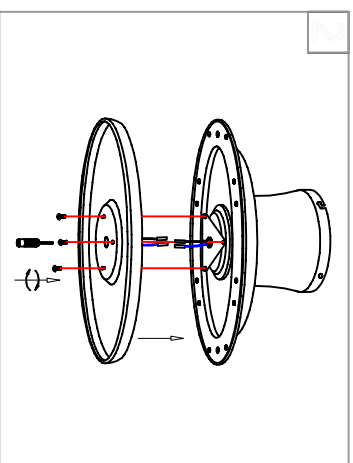
## Steps of installation



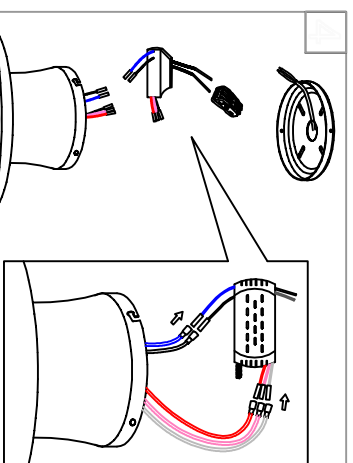
Align the holes of the top cover with those of the motor near the cylinder, and tighten the screws.



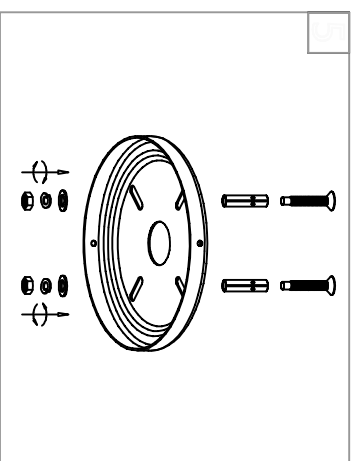
Align the holes of the fan blades with those on the outer circle of the motor, and tighten the screws.



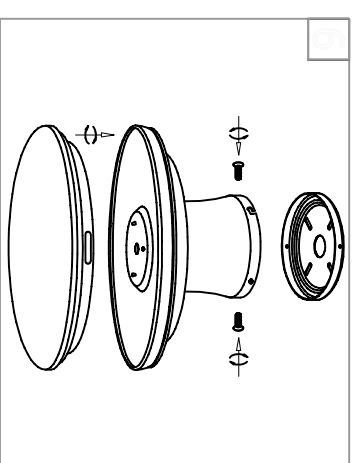
Align the holes of the disc with those inside the motor, and tighten the screws.



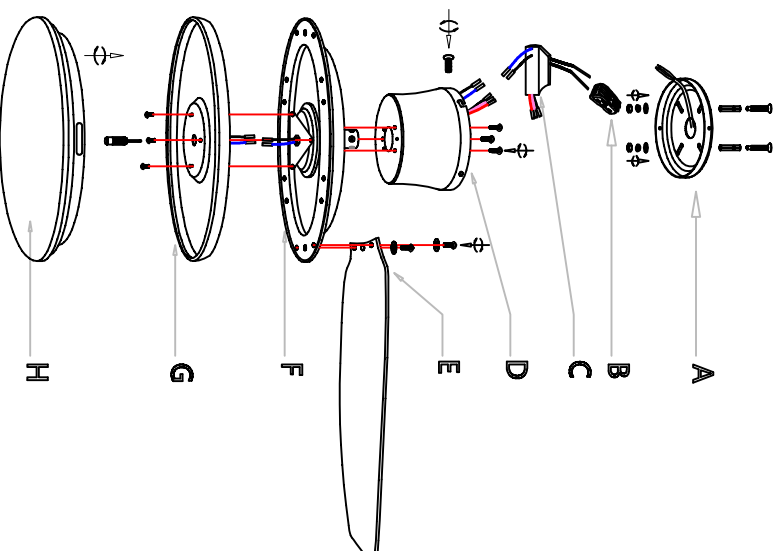
Use the terminal block to connect the black and white wires of the controller to the wires on the ceiling. Next, connect the other colored wires of the controller to the wires on the top cover.



Remove the mounting plate and install it on the ceiling.

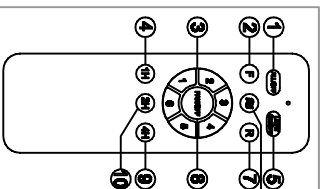


Align the seven-shaped groove on the top cover with the screws on the mounting plate, rotate and fix it, and tighten the screws. Finally, insert the lampshade into the disc, rotate and tighten.



First, remove the mounting plate (A) and install it on the ceiling. Then, align the holes of the top cover (D) with those of the motor (F) near the cylinder, and tighten the screws. Next, align the holes of the disc (G) with those inside the motor (F), and tighten the screws. Then, align the holes of the fan blades (H) with those on the outer circle of the motor (F), and tighten the screws.

Afterwards, use the terminal blocks (B) to connect the black and white wires of the controller (C) to the wires on the ceiling. Next, connect the other colored wires of the controller (C) to the wires on the top cover (D). Then, align the seven-shaped groove on the top cover (D) with the screws on the mounting plate (A), rotate and fix it, and tighten the screws. Finally, insert the lampshade (H) into the disc (G), rotate and tighten.



- |                               |                     |
|-------------------------------|---------------------|
| ① ALLOFF                      | ⑥ Natural Wind Mode |
| ② Forward                     | ⑦ Reverse           |
| ③ FAN Speed control gears 1-6 | ⑧ FAN/OFF           |
| ④ FAN 1-hour Timer            | ⑨ FAN 4-hour Timer  |
| ⑤ LIGHT ON/OFF                | ⑩ FAN 2-hour Timer  |