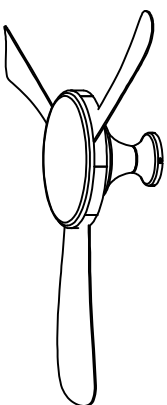


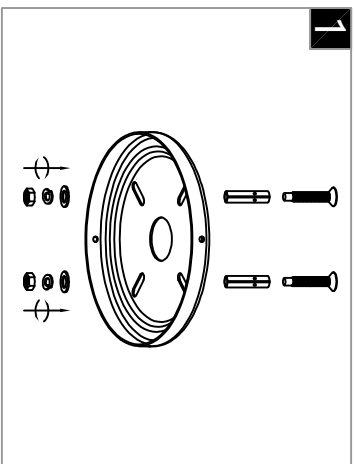
Warning:

This product must be installed by personnel who are familiar with its structure and related hazards, in accordance with the installation specifications. This product is suitable for indoor installation.

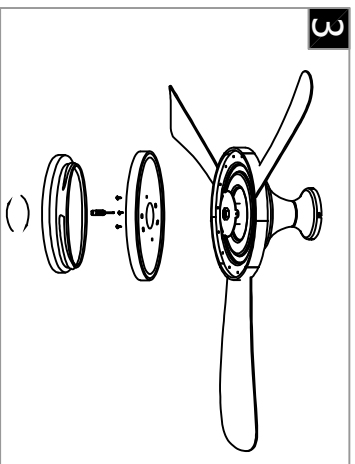


Product style diagram

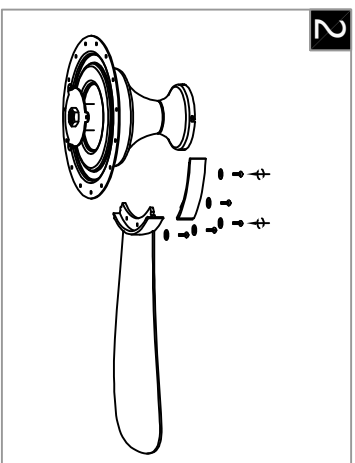
Steps of installation



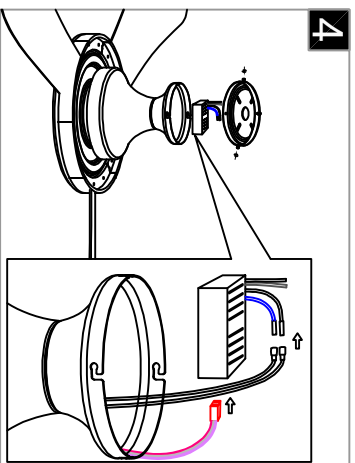
Remove the mounting plate and install it on the ceiling.



Followed by connecting the wires of the lamp body and the disc. Align the holes of the disc with those of the lamp body, tighten the screws, and then insert the lampshade into the disc, rotate and tighten.

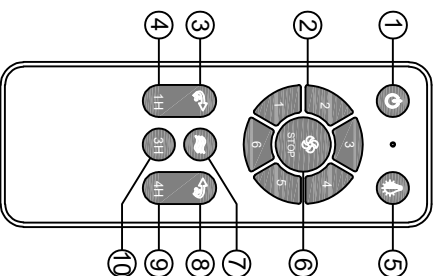
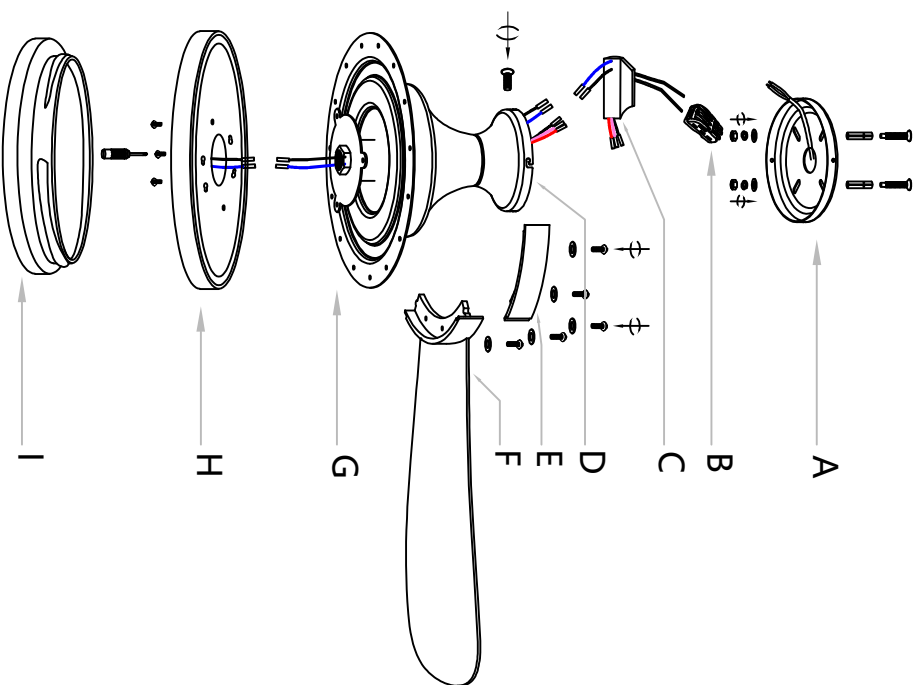


Install the arc piece and the fan blade onto the lamp body.



Use the terminal block to connect the black and white wires of the controller to the wires on the ceiling. Next, connect the other colored wires of the controller to the wires on the top cover.

First, remove the mounting plate (A) and install it on the ceiling. Then, use the terminal block (B) to connect the black and white wires of the controller (C) to the wires on the ceiling. Next, connect the other colored wires of the controller (C) to the wires on the top cover (D). After that, align the seven-shaped slots on the top cover (D) with the screws on the mounting plate (A), rotate and secure them, and then tighten the screws for fixation. Then, install the arc piece (E) and the fan blade (F) onto the lamp body (G), followed by connecting the wires of the lamp body (G) and the disc (H). Align the holes of the disc (H) with those of the lamp body (G), tighten the screws, and then insert the lampshade (I) into the disc (H), rotate and tighten.



- ① ALLOFF
- ② FAN Speed control gears 1-6
- ③ Forward
- ④ FAN 1-hour Timer
- ⑤ LIGHT ON/OFF
- ⑥ FAN/OFF
- ⑦ Natural Wind Mode
- ⑧ Reverse
- ⑨ FAN 4-hour Timer
- ⑩ FAN 3-hour Timer