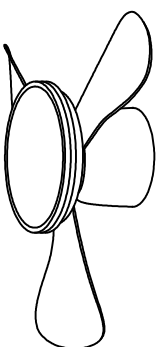


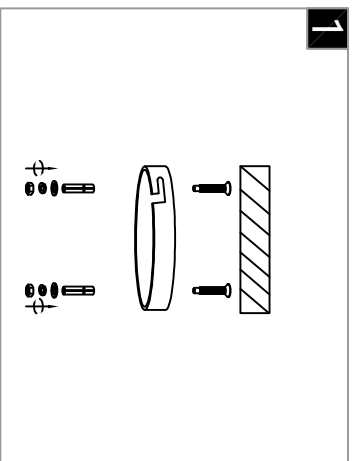
Warning:

This product must be installed by personnel who are familiar with its structure and related hazards, in accordance with the installation specifications. This product is suitable for indoor installation.

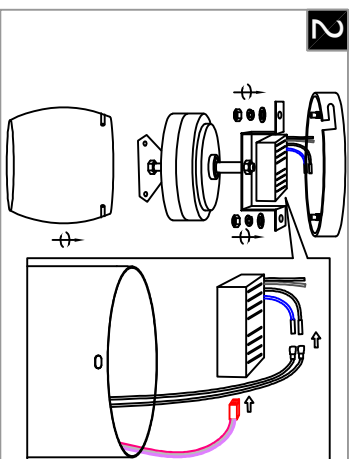


Product style diagram

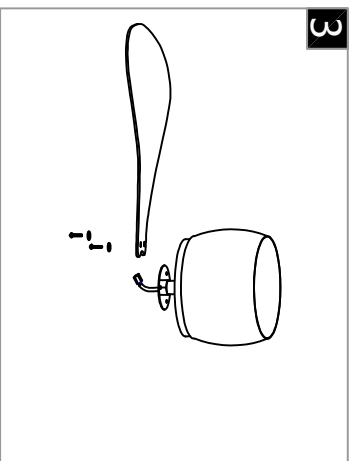
Steps of installation



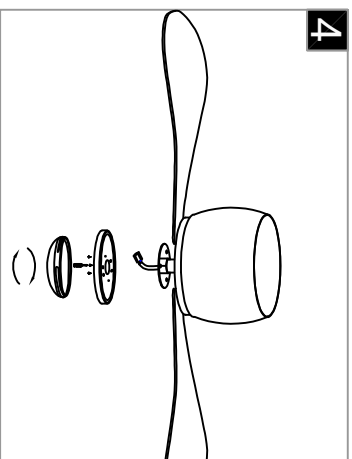
Note: The ceiling must be able to bear a weight of 20 IBS. Then, follow the steps below to fix the mounting plate onto the ceiling.



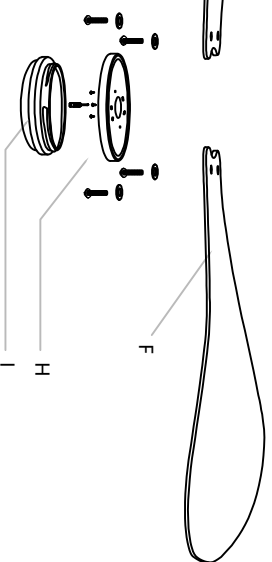
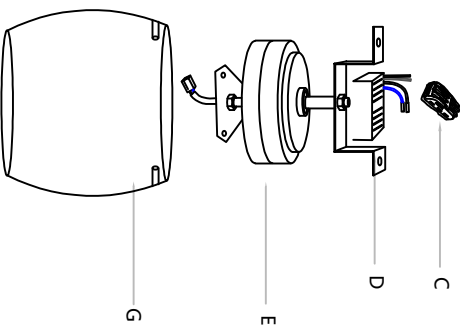
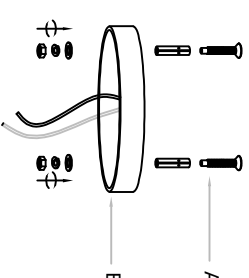
Connect the reserved wires on the power supply to the terminal block, and then fix the installation plate of the motor to the top cover.



Fix the fan blades to the motor using nuts.



Connect the wires on the light source cover to the wires on the motor by color, align the screw holes on the motor with the light source cover, and then fix the screws with a screwdriver. Then twist the acrylic lampshade clockwise over the light source lampshade.



Insert the metal nail (A) into the ceiling, then lock the top cover (B) onto the screw row on the ceiling, and connect the reserved wires on the power supply to the terminal block (C). Next, fix the installation plate (D) of the motor onto the top cover (B), install the motor cover (G) onto the top cover (B), install the fan blades (F) onto the motor (E) using screws and washers, and insert the wire colors on the motor (E) into the slots of the light source cover (H). Then, align the holes on the light source cover (H) with the holes on the motor (E), tighten the screws, and rotate the light source cover (I) clockwise to cover the light source cover (H).