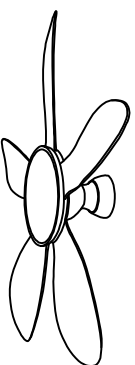


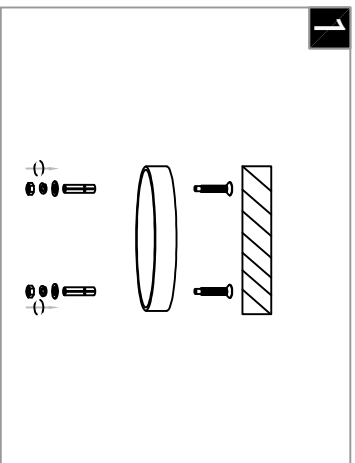
**Warning:**

This product must be installed by personnel who are familiar with its structure and related hazards, in accordance with the installation specifications. This product is suitable for indoor installation.



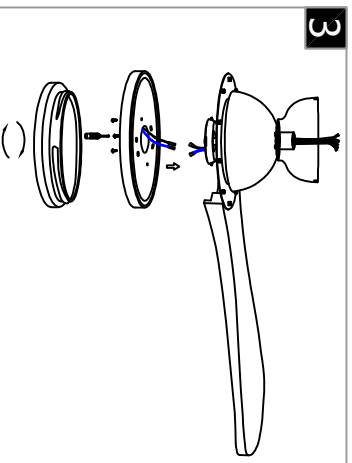
Product style diagram

**Steps of installation**



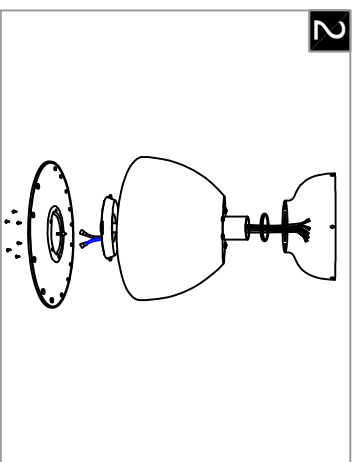
**1**

Note: The ceiling must be able to bear a weight of 20 LBS. Then, follow the steps below to fix the mounting plate onto the ceiling.



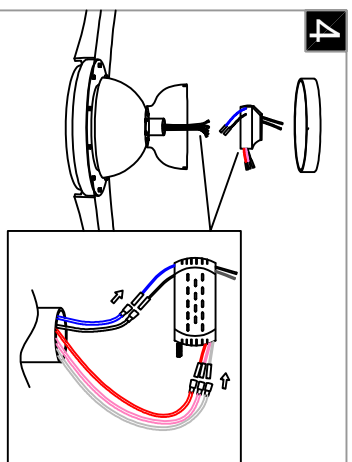
**3**

Insert the wires into the fan mounting plate located above the light source cover according to their colors. Then align the holes on the light source cover with those on the motor, tighten the screws, and rotate the acrylic cover clockwise onto the light source cover.



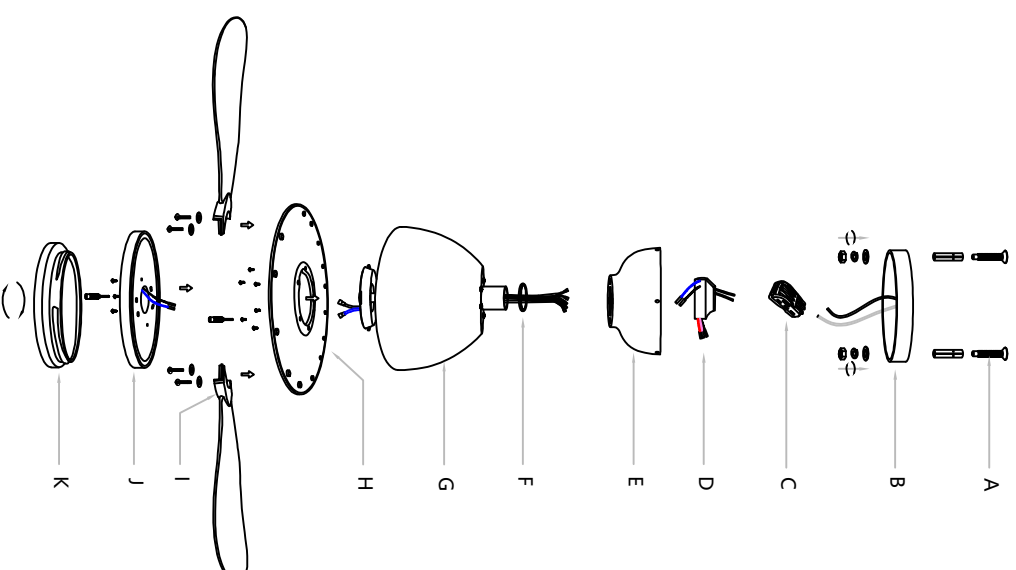
**2**

Remove the screws from the motor, then install the washer on the motor shaft. Align and connect them, and finally fix the cover with the removed screws. Then, use screws to attach the fan mounting plate to the motor.



**4**

Then connect the drive power supply and the motor reserve line together, and then connect it to the reserve line on the ceiling and to the terminal block. Finally, fix the overall top cover position onto the installation plate.



First, fix the fan mounting plate (H) to the motor (G) using screws. Then, install the fan blades (I) onto the motor (G) with screws and washers. Next, insert the wires into the fan mounting disc (H) located above the light source cover (J) according to the wire colors. Then, align the holes on the light source cover (J) with those on the motor (G), tighten the screws, and rotate the acrylic cover (K) clockwise to install it on the light source cover (J). Install a rubber gasket (F) on the rod of the motor (G) and fix it to the top cover (E). Connect the reserved wires to the power supply (D), then connect the reserved wires on the power supply (D) to the reserved wires on the mounting plate and to the terminal (C). Insert the metal nails into the ceiling and align the screws (A) with the mounting plate (B), then fix it with nuts and washers. Finally, align the position of the light source cover (E) of the lamp body with the mounting plate (B), and tighten the screws on both sides.