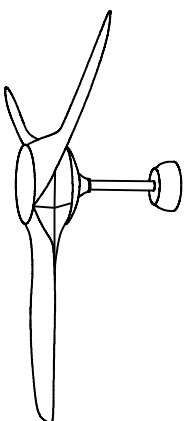
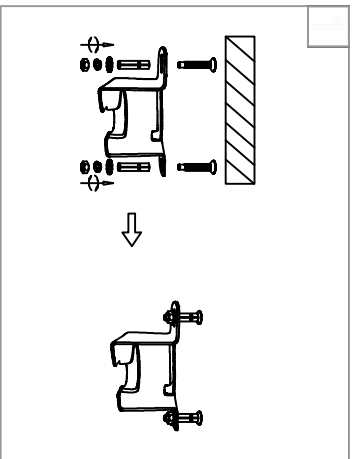


Warning:
This product must be installed by personnel who are familiar with its structure and related hazards. In accordance with the installation specifications. This product is suitable for Indoor installation.

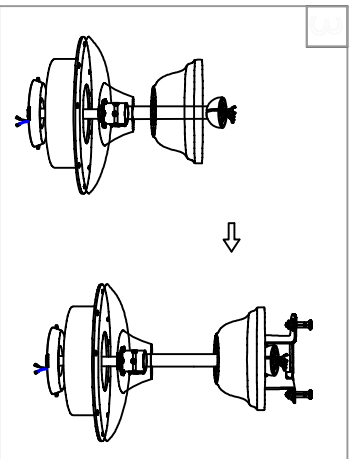


Product style diagram

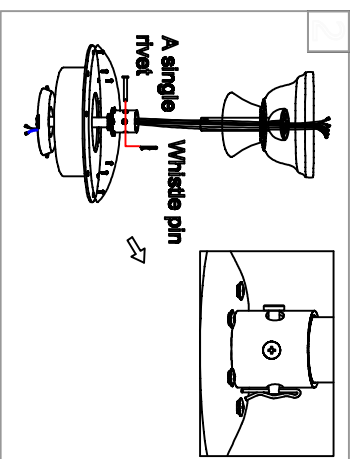
Steps of installation



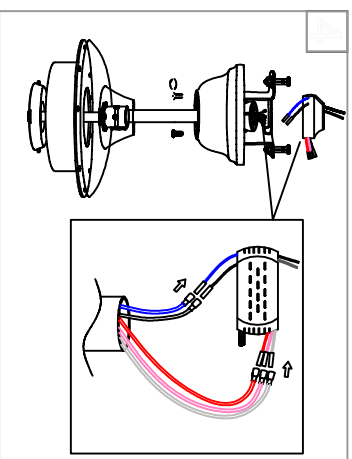
Note: The ceiling must be able to bear a weight of 20 lbs. Then, follow the steps below to fix the mounting plate onto the ceiling.



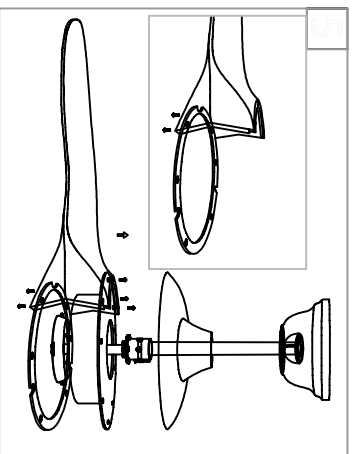
Insert the connection rods of the lamp body into the suspension bracket one by one, then put the power driver into the top cover, and insert the reserved driving wire into the connection rods.



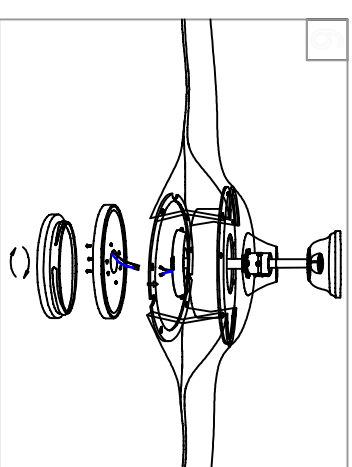
Insert the wires on the motor from the connecting rod into the driver by color, then press the entire lamp body onto the motor, insert the iron pin, and tighten the screw.



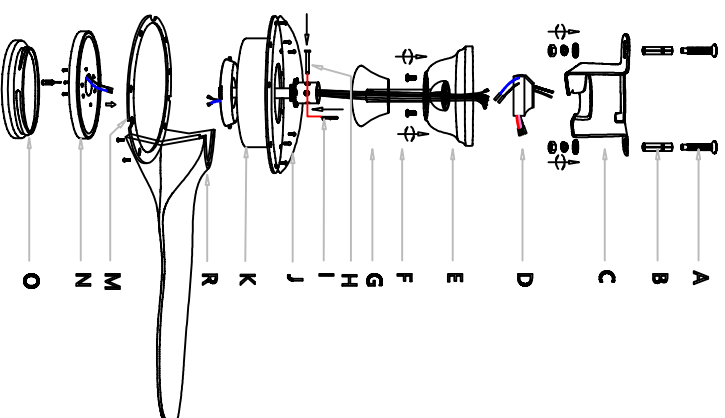
Insert the connection rods of the lamp body into the mounting plate one by one, then put the power driver into the top cover, and insert the reserved driving wire into the connection rods.



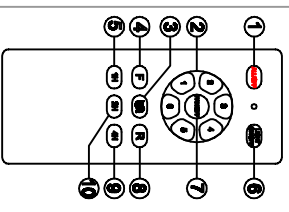
First, install the fan blades onto the iron rings. Then, fix the bottom of the fan blades with screws. Remove the cover on the motor, align the holes on the fan blades with those on the motor, and tighten the screws. Finally, install the cover onto the motor.



Connect the wires on the light source cover to the wires on the motor by color, align the screw holes on the motor with the light source cover, and then fix the screws with a screwdriver. Then twist the acrylic lampshade clockwise over the light source lampshade.



Attach the fan blades (R) to the iron ring (M) and the motor (K) using screws and washers. Then, insert the wires into the motor (K) above the light cover (N) according to their colors. Next, align the holes on the light cover (N) with those on the motor (K), lock the screws, and rotate the light cover (N) clockwise until it aligns with the light cover (N). Then, use the connecting rod (F) to align the opening of the motor (K) from the lamp cover (E) downward. Next, pass the wires through the bottom cover (G) and the connecting rod (F), and insert them into the top cover (E). Then, align the holes of the connecting rod (F) and the motor (K) with the pins and insert the pins (H), and then insert the pin (I) into the iron pin (H). Then, cover the screw (A) with the iron pin (B), and screw it into the ceiling. Use the mounting plate (C) to align the screw (B), and then lock it with a nut and a washer. Then, use the head of the lamp body connecting rod (F) to suspend the lamp body onto the mounting plate (C), and connect the wires on the lamp body to the power driver (D). Connect the neutral wire and the live wire above the power driver (D) to the wires above the ceiling according to their colors. It is best to align the holes at the bottom of the top cover (E) with the holes on the mounting plate (C), and then tighten the screws.



- ① ALLOFF
- ② FAN Speed control gears 1-6
- ③ Natural Wind Mode
- ④ Forward
- ⑤ FAN 1-hour Timer
- ⑥ LIGHT ON/OFF
- ⑦ FAN/OFF
- ⑧ Reverse
- ⑨ FAN 4-hour Timer
- ⑩ FAN 2-hour Timer