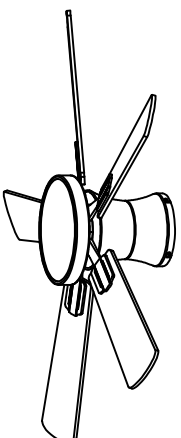


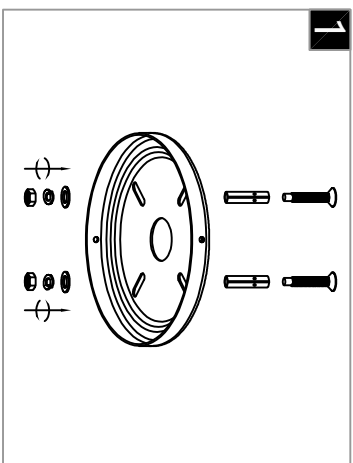
Warning:

This product must be installed by personnel who are familiar with its structure and related hazards, in accordance with the installation specifications. This product is suitable for indoor installation.

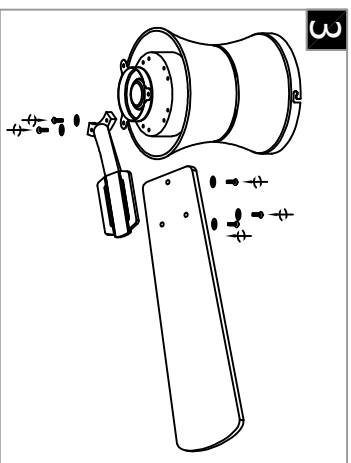


Product style diagram

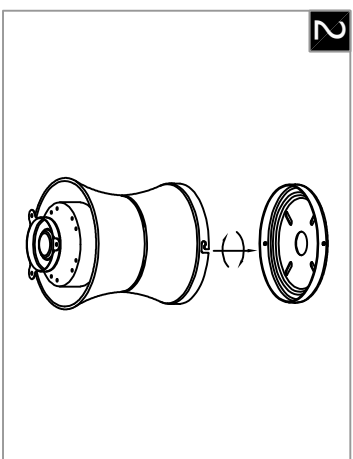
Steps of installation



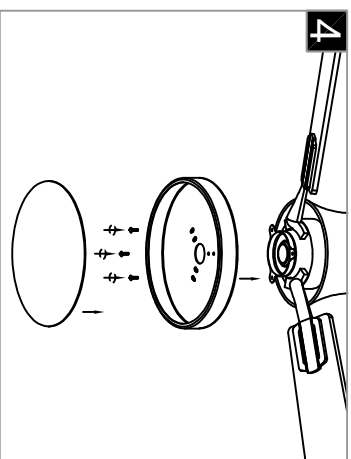
Remove the mounting plate and install it on the ceiling.



Install the fan blade onto the iron piece, and then install the combined fan blade onto the lamp body.

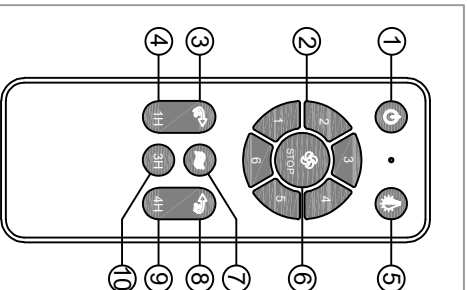
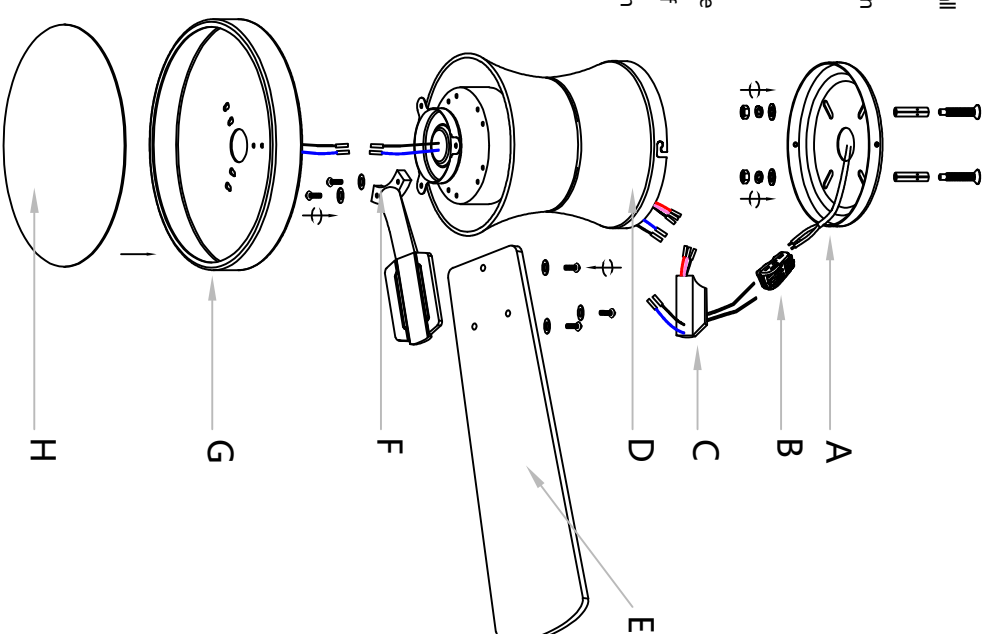


Align the seven-slot card groove of the lamp body with the threaded rod of the mounting plate, screw it in, and tighten the screws.



Align the holes of the disc with those of the lamp body, tighten the screws, and then insert the lampshade into the disc.

First, remove the mounting plate (A) and install it on the ceiling. Then, connect the black and white wires of the controller (C) to the wires on the ceiling using the terminal block (B). Next, connect the other colored wires of the controller (C) to the wires of the lamp body (D). After that, align the seven-slot card groove of the lamp body (D) with the threaded rod of the mounting plate (A), screw it in, and tighten the screws. Then, install the fan blade (E) onto the iron piece (F), and then install the combined fan blade (E) onto the lamp body (D). Next, connect the wires of the lamp body (D) and the disc (G), align the holes of the disc (G) with those of the lamp body (D), tighten the screws, and then insert the lampshade (H) into the disc (G).



- ① ALLOFF
- ② FAN Speed control gears 1-6
- ③ Forward
- ④ FAN 1-hour Timer
- ⑤ LIGHT ON/OFF
- ⑥ FAN/OFF
- ⑦ Natural Wind Mode
- ⑧ Reverse
- ⑨ FAN 4-hour Timer
- ⑩ FAN 3-hour Timer