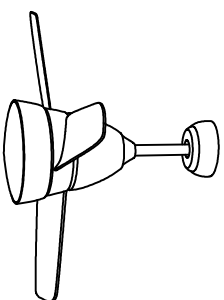


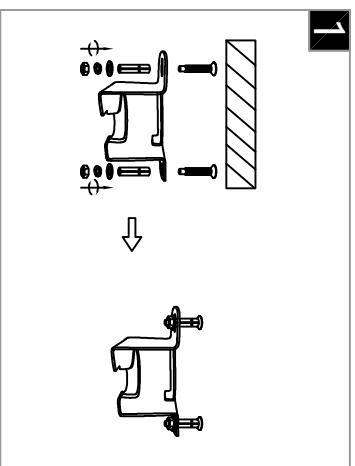
Warning:

This product must be installed by personnel who are familiar with its structure and related hazards, in accordance with the installation specifications. This product is suitable for indoor installation.

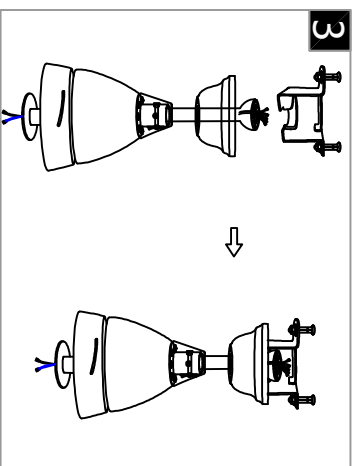


Product style diagram

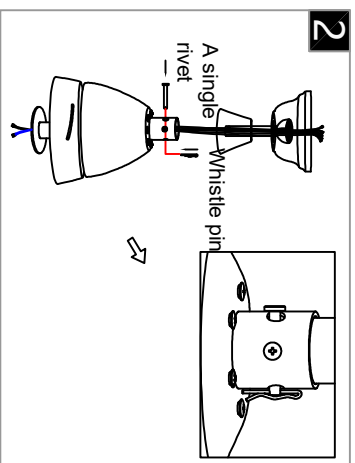
Steps of installation



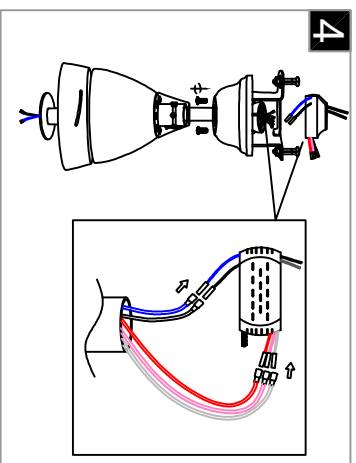
Note: The ceiling must be able to bear a weight of 20 lBS. Then, follow the steps below to fix the mounting plate onto the ceiling.



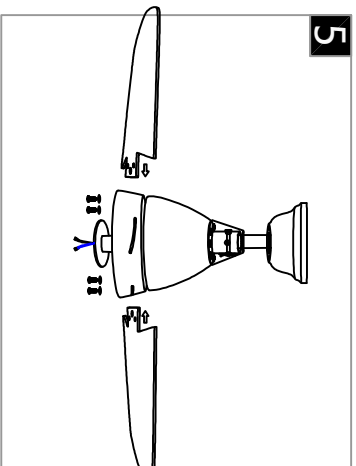
Insert the connection rods of the lamp body into the suspension bracket one by one, then put the power driver into the top cover, and insert the reserved driving wire into the connection rods.



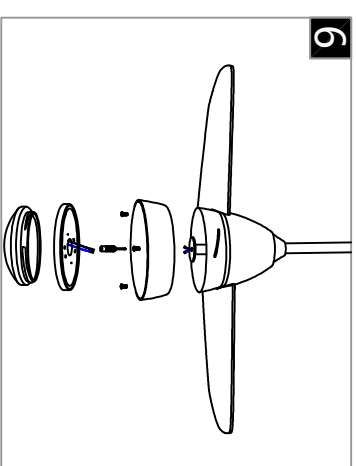
Insert the wires on the motor from the connecting rod into the driver by color, then press the entire lamp body onto the motor, insert the iron pin, and tighten the screw.



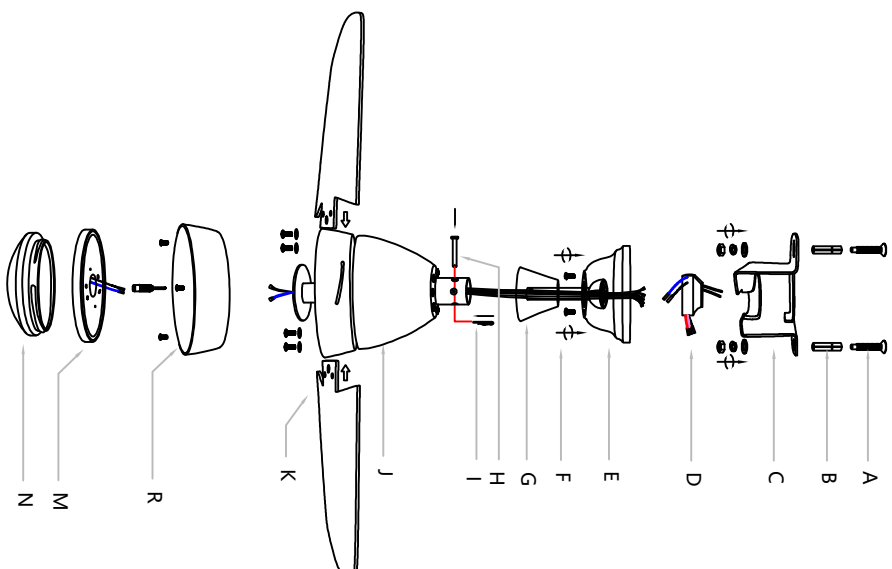
Insert the connection rods of the lamp body into the mounting plate one by one, then put the power driver into the top cover, and insert the reserved driving wire into the connection rods.



Lock the fan blades onto the fan motor according to their serial numbers, paying attention to the front and back of the fan blades. Then lock the screws.



Insert the wires above the dust cover into the motor according to the color. Then align the holes above the dust cover with the holes of the motor, tighten the screws, and then attach the light source cover to the dust cover. Finally, rotate the light source cover clockwise onto the dust cover.



Attach the fan blades (K) to the motor (J) using screws and washers. Then, insert the wires above the dust cover (R) into the motor (J) according to the color. Align the holes above the dust cover (R) with the holes of the motor (J), tighten the screws, and then attach the light source cover (M) to the dust cover (R). Then, rotate the light source cover (N) clockwise onto the dust cover (R). Use the connecting rod (F) to align the motor (J) opening from the lamp cover (E) downward. Pass the wires on the motor (J) through the bottom cover (G) and the connecting rod (F) and insert them into the top cover (E). Align the holes of the connecting rod (F) and the motor (J) with the holes using the pin (H), and insert the pin (I) downward into the pin (H). Cover the screw (A) with the iron pin (B) and drive it into the ceiling. Align the screw (B) with the screw (C) using the mounting plate (C), and lock it with a nut and washer. Hang the lamp body connection rod (F) head onto the mounting plate (C). Finally, connect the wires on the lamp body to the power driver (D) according to the color. Connect the neutral wire and live wire above the power driver (D) to the wires on the ceiling. It is best to align the holes at the bottom of the top cover (E) with the holes on the mounting plate (C), and then tighten the screws.