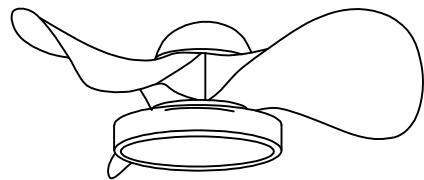
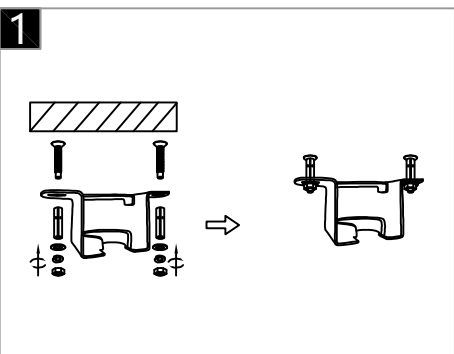


**Warning:**  
This product must be installed by personnel who are familiar with its structure and related hazards, in accordance with the installation specifications. This product is suitable for indoor installation.

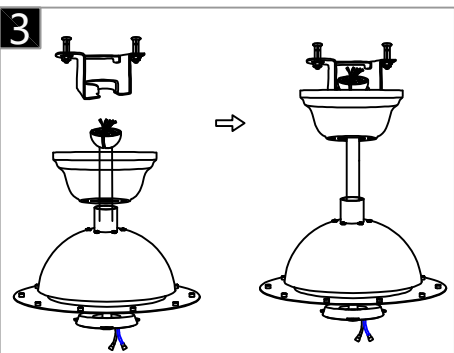


Product style diagram

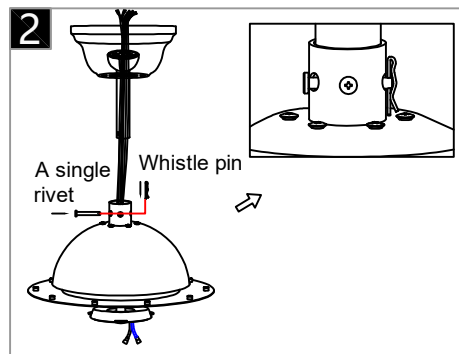
## Steps of installation



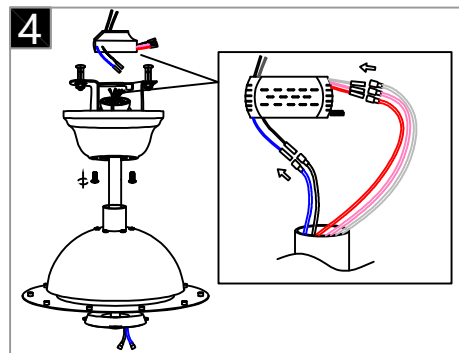
Note: The ceiling must be able to bear a weight of 20 IBS. Then, follow the steps below to fix the mounting plate onto the ceiling.



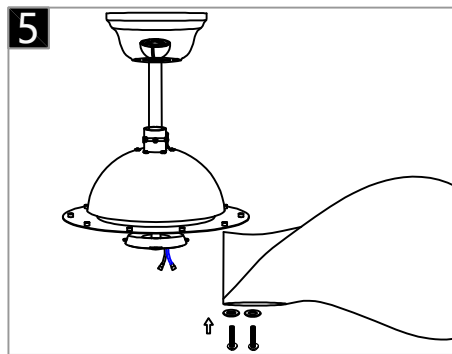
Insert the connection rods of the lamp body into the suspension bracket one by one, then put the power driver into the top cover, and insert the reserved driving wire into the connection rods.



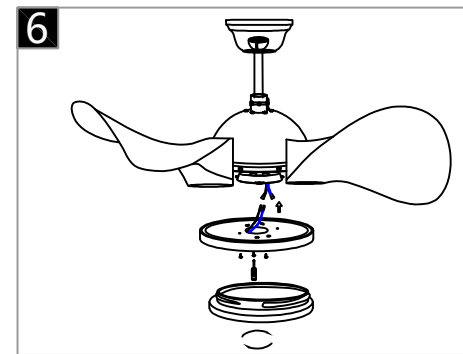
Insert the wires on the motor from the connecting rod into the driver by color, then press the entire lamp body onto the motor, insert the iron pin, and tighten the screw.



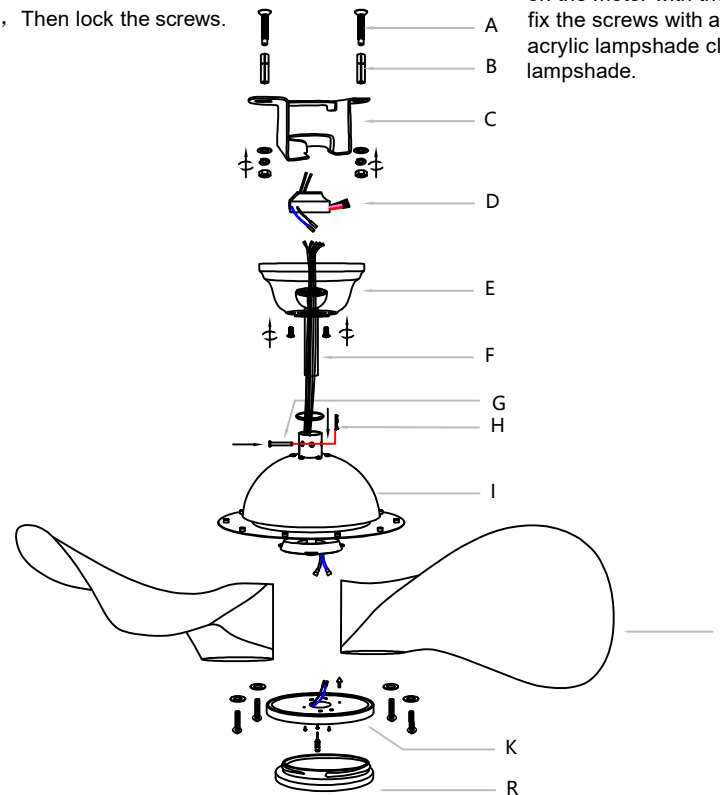
Insert the connection rods of the lamp body into the suspension bracket one by one, then put the power driver into the top cover, and insert the reserved driving wire into the connection rods.



Lock the fan blades onto the fan motor according to their serial numbers, paying attention to the front and back of the fan blades. Then lock the screws.



Connect the wires on the light source cover to the wires on the motor by color, align the screw holes on the motor with the light source cover, and then fix the screws with a screwdriver. Then twist the acrylic lampshade clockwise over the light source lampshade.



Attach the fan blades (J) to the motor (I) using screws and washers, then insert the wires into the motor (I) above the light cover (K) according to their colors. Next, align the holes on the light cover (K) with those on the motor (I), lock the screws, and then rotate the light cover (R) clockwise until it aligns with the light cover (K). Then use the connecting rod (F) to align the opening of the motor (J) from the lampshade (E) downward. Next, pass the wires through the connecting rod (F) and into the top cover (E), then use the pin (H) to align the holes of the connecting rod (F) and the motor (J) and insert it, then cover the screw (A) with a nail (B), and then screw it into the ceiling. Then use the mounting plate (C) to align the screw (B), then use a nut and washer to lock it, and then use the lamp body connecting rod (F) head to suspend the lamp body onto the mounting plate (C). Then connect the wires on the lamp body to the power driver (D), and connect the neutral wire and live wire above the power driver (D) to the wires above the ceiling according to their colors. It is best to align the holes at the bottom of the top cover (E) with the holes on the mounting plate (C), and then tighten the screws.