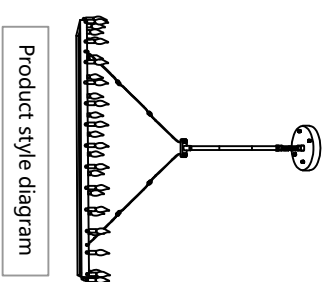
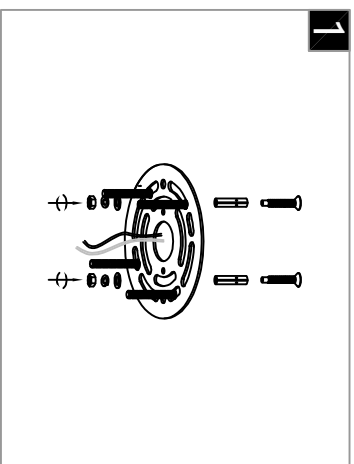


**Warning:**

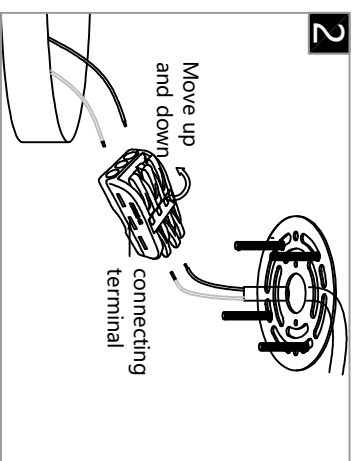
This product must be installed by personnel who are familiar with its structure and related hazards, in accordance with the installation specifications. This product is suitable for indoor installation.



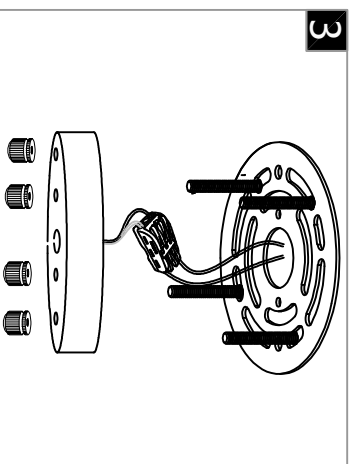
**Steps of installation**



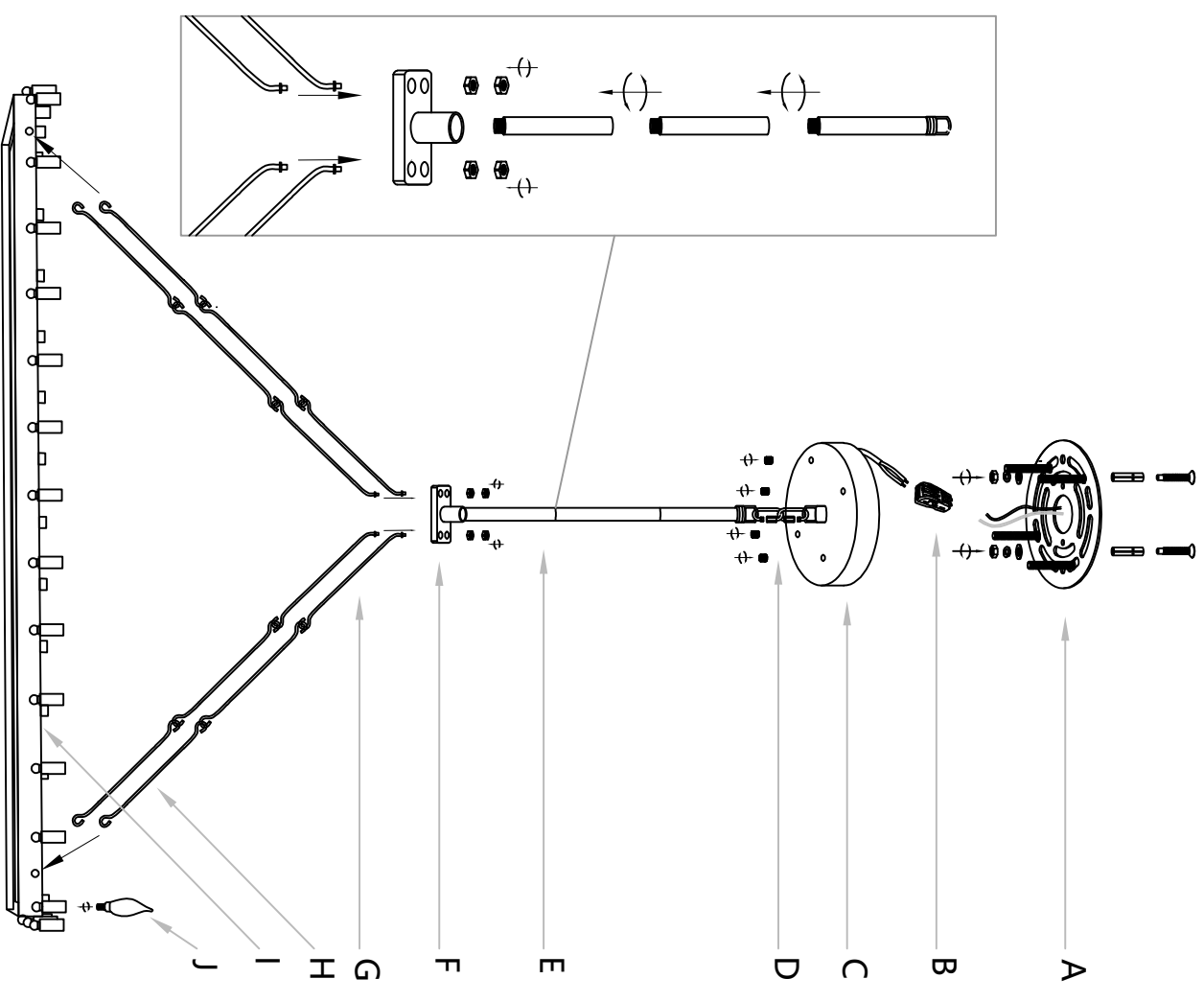
First, fix the expansion screws onto the ceiling, and then lock the mounting plate onto the screws.



Connect the wires inside the luminaire and ceiling to the terminal, usually neutral wire (white), hot wire (black)



Align the top cover hole position on the luminaire with the screws on the mounting plate and then secure from the bottom using the nut.



First, attach the iron hook (G) to the T-shaped tube (F). Then, connect the pole (E) to the T-shaped tube (F). Next, connect the iron hook (G) and the iron hook (H), and install them onto the lamp body (I). After that, fix the mounting plate (A) to the ceiling and pass the wires through the top cover (C) to connect them to the wires on the ceiling and the terminal (B). Then, align the holes on the top cover (C) with the threaded rod on the mounting plate (A) and tighten the nut. Finally, install the bulb (I) onto the lamp base (J) of the lamp.