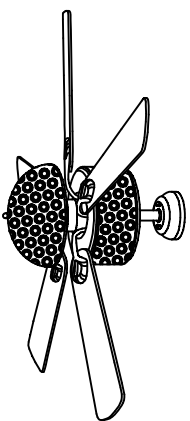
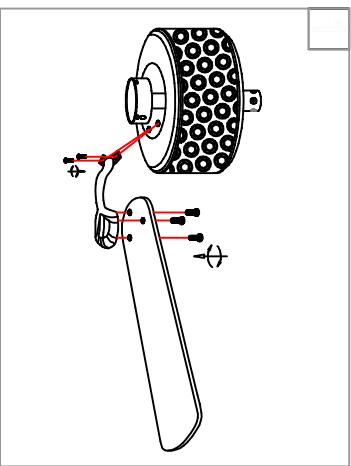


Warning:
This product must be installed by personnel who are familiar with its structure and related hazards, in accordance with the installation specifications. This product is suitable for indoor installation.

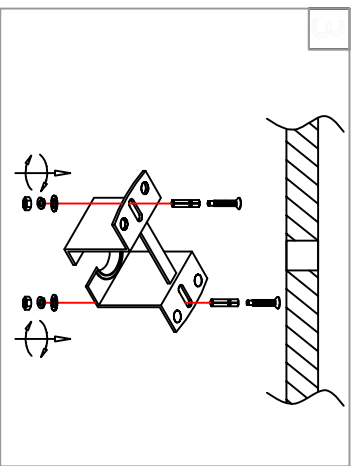


Product style diagram

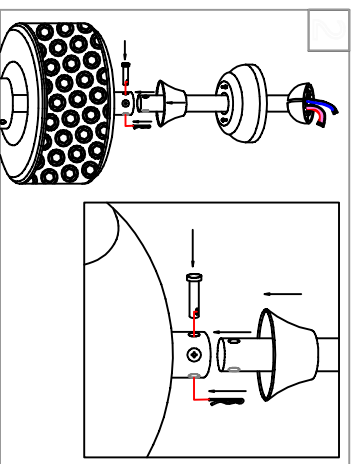
Steps of Installation



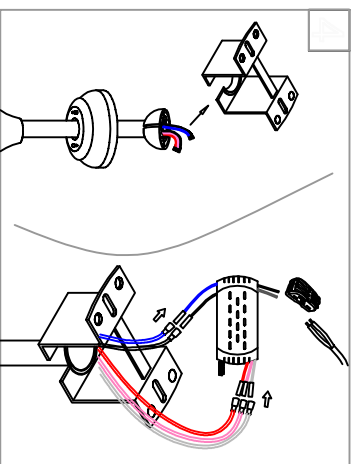
Align the fan blade bracket with the hole at the bottom of the lamp body , tighten the screws, and then install the fan blade onto the fan blade bracket .



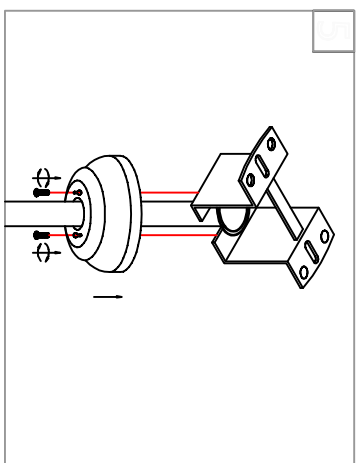
Fix the installation bracket to the ceiling.



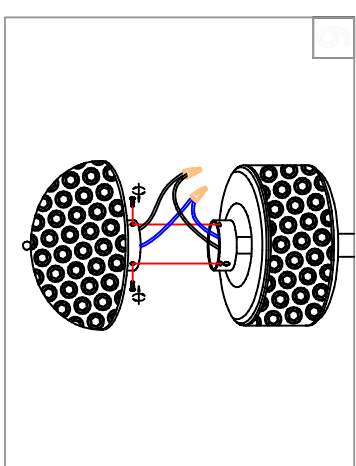
Pass the round tube through the top cover , the horn cover , and the wires, insert it into the cylinder on the lamp body , align the hole positions, insert the lock pin , then insert the pin into the lock pin , tighten the screws, and press the horn cover downward to cover it.



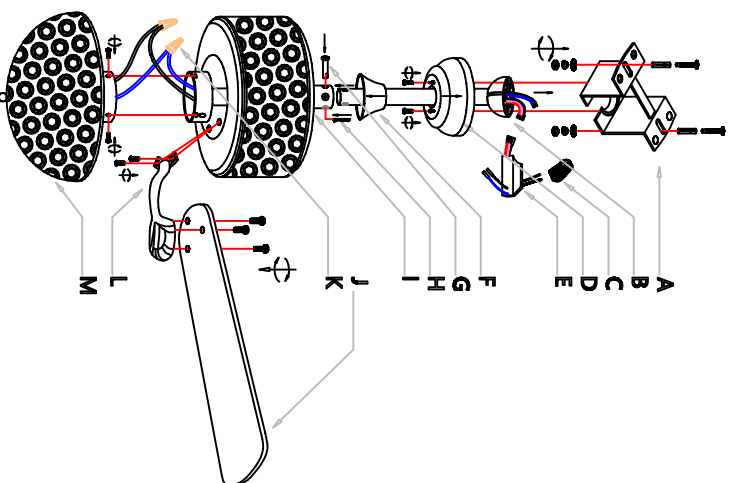
Insert the round tube into the installation bracket , (aligning the concave and convex positions), then connect the wires of the power driver and the wires coming out of the round tube , and connect the wires of the power driver and the wires on the ceiling using the terminal .



Align the holes of the top cover with the holes at the bottom of the installation bracket , and tighten the screws.



Use the cap to connect the wires at the bottom of the lamp body and the wires of the lampshade , then align the holes of the disc of the lampshade with the holes at the bottom of the lamp body , and tighten the screws.



First, align the fan blade bracket (L) with the hole at the bottom of the lamp body (I), tighten the screws, and then install the fan blade (B) onto the fan blade bracket (L). Next, pass the round tube (M) through the top cover (D), the horn cover (F), and the wires, insert it into the cylinder on the lamp body (I), align the hole positions, insert the lock pin (H), then insert the pin (G) into the lock pin (H), tighten the screws, and press the horn cover (F) downward to cover it. Then, fix the installation bracket (A) to the ceiling. Next, insert the round tube (M) into the installation bracket (A), (aligning the concave and convex positions), then connect the wires of the power driver (E) and the wires coming out of the round tube (B), and connect the wires of the power driver (E) and the wires on the ceiling using the terminal (C). Then, align the holes of the top cover (D) with the holes at the bottom of the installation bracket (A), and tighten the screws. Next, use the cap (N) to connect the wires at the bottom of the lamp body (I) and the wires of the lampshade (M), then align the holes of the disc of the lampshade (N) with the holes at the bottom of the lamp body (I), and tighten the screws.

① ALLOFF	⑥ Natural Wind Mode
② Forward	⑦ Reverse
③ FAN Speed control gears 1-6	⑧ FAN/OFF
④ FAN 1-hour Timer	⑨ FAN 4-hour Timer
⑤ LIGHT ON/OFF	⑩ FAN 2-hour Timer