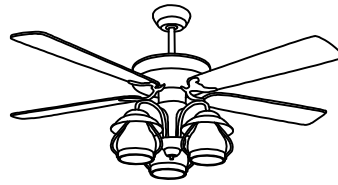
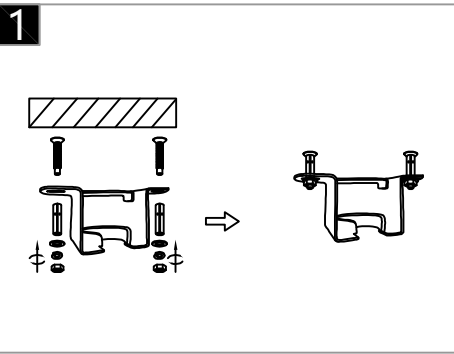


Warning:
This product must be installed by personnel who are familiar with its structure and related hazards, in accordance with the installation specifications. This product is suitable for indoor installation.

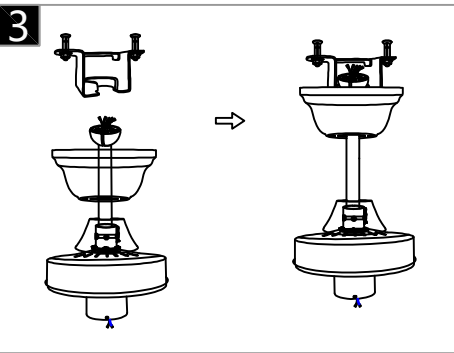


Product style diagram

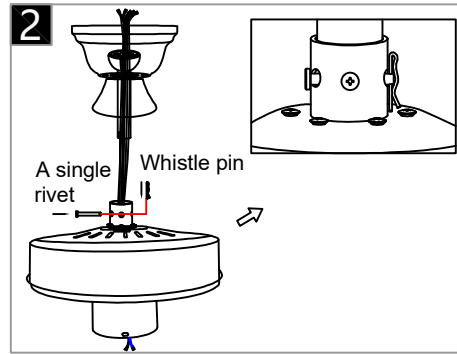
Steps of installation



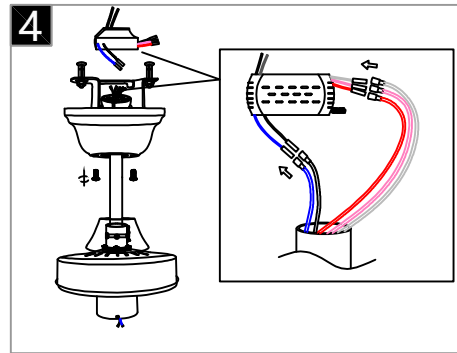
Note: The ceiling must be able to bear a weight of 20 IBS. Then, follow the steps below to fix the mounting plate onto the ceiling.



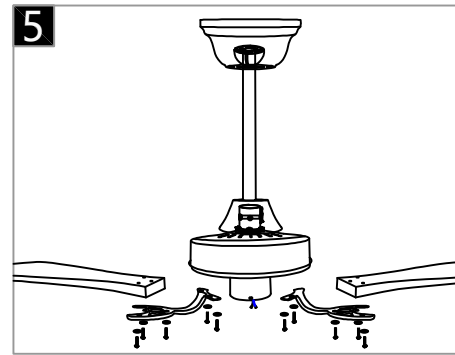
Insert the connection rods of the lamp body into the suspension bracket one by one, then put the power driver into the top cover, and insert the reserved driving wire into the connection rods.



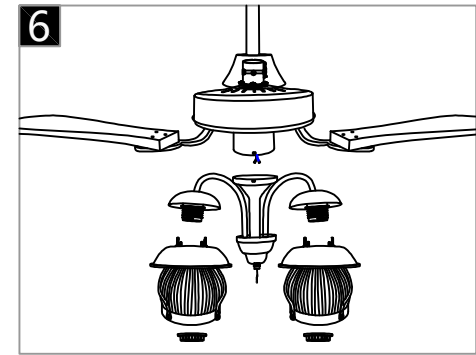
Insert the wires on the motor from the connecting rod into the driver by color, then press the entire lamp body onto the motor, insert the iron pin, and tighten the screw.



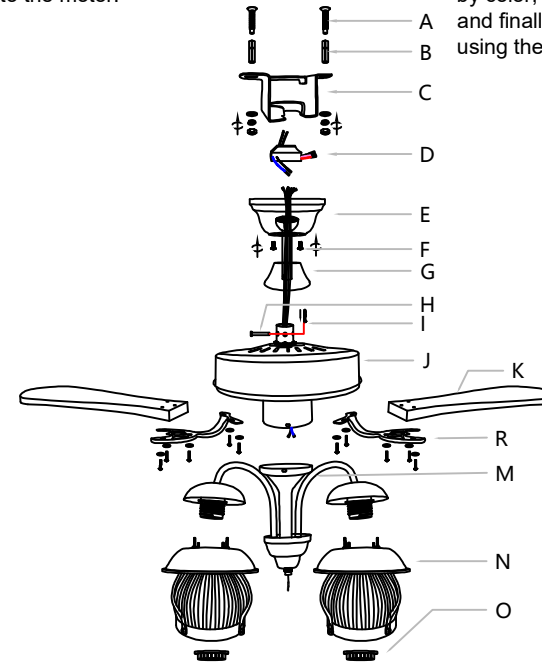
Insert the connection rods of the lamp body into the suspension bracket one by one, then put the power driver into the top cover, and insert the reserved driving wire into the connection rods.



First, install the fan blades onto the fan frame, and then secure it to the motor.



Connect the wires on the lamp body to the motor by color, then install the lamp body into the motor, and finally fix the lampshade to the lamp arm using the lamp cap.



Fix the fan blades (K) to the fan bracket (R) and the motor (J) using screws and washers. Then, insert the wires on the lamp body (M) into the motor (J) according to the color of the wires, and install the lamp body (M) onto the motor (J). Next, fix the lamp cover (N) onto the lamp arm bracket (M) using the lamp head ring (O), and then insert the wires through the bottom cover (G) and the connecting rod (F), and insert them into the top cover (E). Then, align the holes on the connecting rod (F) and the motor (K) with the pins, insert the pin (H), and then insert the pin (I) into the iron pin (H). Cover the screw (A) with the iron pin (B) and screw it into the ceiling. Align the screw (B) with the installation plate (C), and lock it with a nut and washer. Next, suspend the lamp body on the installation plate (C) using the head of the lamp body connecting rod (F), and connect the wires on the lamp body to the power driver (D). Connect the neutral and live wires above the power driver (D) to the wires above the ceiling according to their colors. It is best to align the holes at the bottom of the top cover (E) with the holes on the installation plate (C), and then tighten the screws. Then, insert the wires through the bottom cover (G) and the connecting rod (F), and insert them into the top cover (E). Align the holes on the connecting rod (F) and the motor (K) with the pins, insert the pin (H), and then insert the pin (I) into the iron pin (H). Cover the screw (A) with the iron pin (B), and screw it into the ceiling. Use the installation plate (C) to align the screw (B), and lock it with a nut and washer. Next, suspend the lamp body on the installation plate (C) using the head of the lamp body connecting rod (F), and connect the wires on the lamp body to the power driver (D). Connect the neutral and live wires above the power driver (D) to the wires above the ceiling according to their colors. It is best to align the holes at the bottom of the top cover (E) with the holes on the installation plate (C), and then tighten the screws.