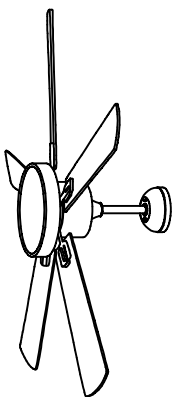
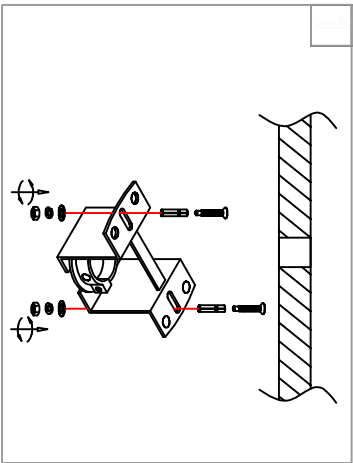




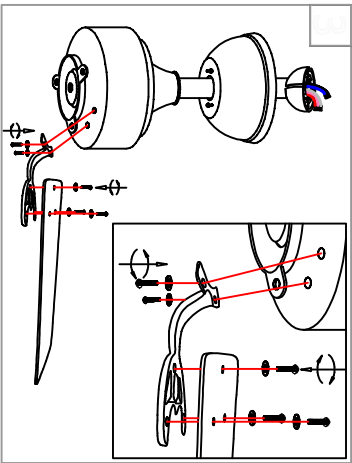
Warning:
This product must be installed by personnel who are familiar with its structure and related hazards, in accordance with the installation specifications. This product is suitable for indoor installation.



Steps of installation

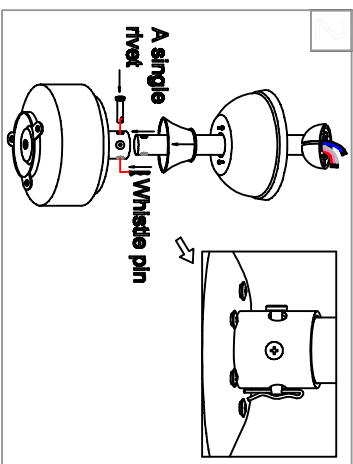


Fix the mounting bracket to the ceiling.

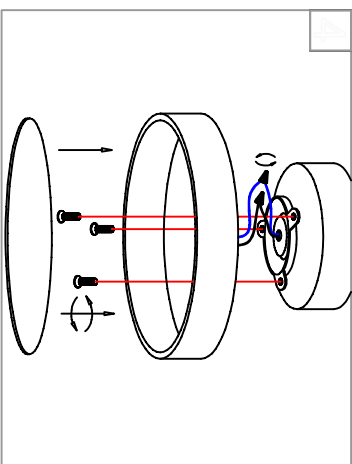


Align the holes of the fan blades with those of the fan blade bracket. Tighten the screws, then align the holes of the fan blade bracket with those under the motor and tighten the screws.

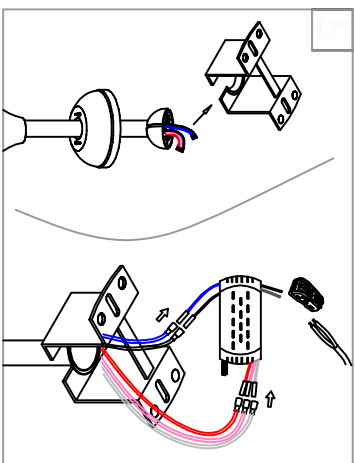
Product style diagram



Pass the round tube through the top cover and the horn cover. Insert it into the upper cylinder of the motor, align the holes, insert the lock pin, then insert the pin into the lock pin, tighten the screws, and cover with the horn cover.

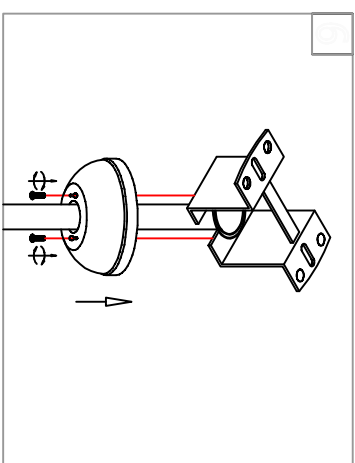


Pass the light source wire through the hole of the disc and connect it to the wire of the motor, install the light source inside the disc, and then align the holes of the disc with those under the motor, tighten the screws, and insert the lampshade into the disc.

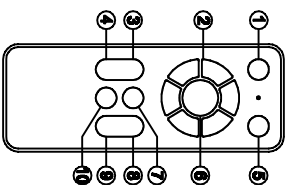
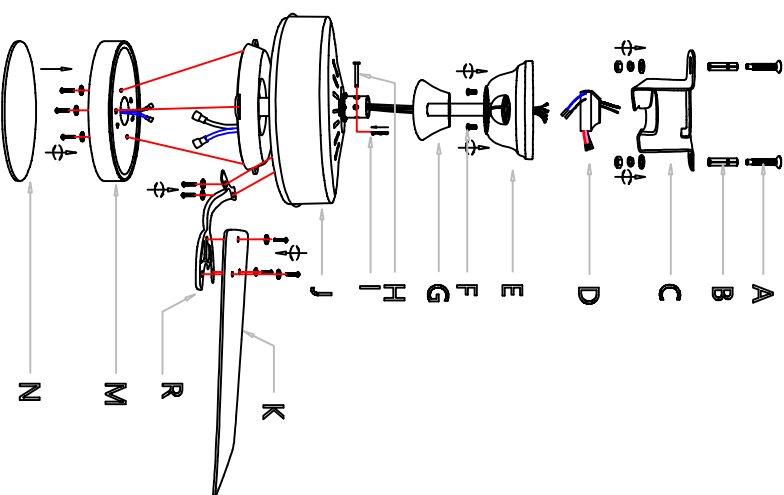


Align the groove of the round tube with the protrusion of the mounting bracket and insert it, then align the connection port of the power driver with the extended connection port of the round tube, connect them, and use the quick connector to connect the power driver's wire to the wire on the ceiling, and place the power driver in the mounting bracket.

First, pass the round tube (E) through the top cover (B) and the horn cover (G), insert it into the upper cylinder of the motor (J), align the holes, insert the lock pin (H), then insert the pin (I) into the lock pin (H), tighten the screws, and cover with the horn cover (G). Next, align the holes of the fan blades (K) with those of the fan blade bracket (R), tighten the screws, then align the holes of the fan blade bracket (R) with those under the motor (J) and tighten the screws. Then, pass the light source wire through the hole of the disc (M) and connect it to the wire of the motor (J), install the light source inside the disc (M), and then align the holes of the disc (M) with those under the motor (J), tighten the screws, and insert the lampshade (N) into the disc. Next, fix the mounting bracket (C) to the ceiling. Then, align the groove of the round tube (E) with the protrusion of the mounting bracket (C) and insert it, then align the connection port of the power driver (D) with the extended connection port of the round tube (E), connect them, and use the quick connector to connect the power driver (D)'s wire to the wire on the ceiling, and place the power driver (D) in the mounting bracket (C). Then, align the holes of the top cover (B) with those of the mounting bracket (C) and tighten the screws.



Align the holes of the top cover with those of the mounting bracket and tighten the screws.



- ① ALLOFF
- ② FAN Speed control gears 1-6
- ③ Forward
- ④ FAN 1-hour Timer
- ⑤ LIGHT ON/OFF
- ⑥ FAN/OFF
- ⑦ Natural Wind Mode
- ⑧ Reverse
- ⑨ FAN 4-hour Timer
- ⑩ FAN 3-hour Timer