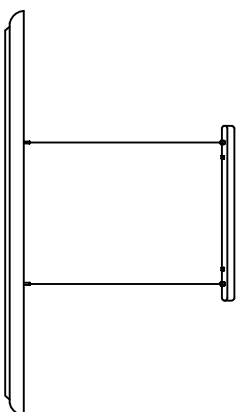
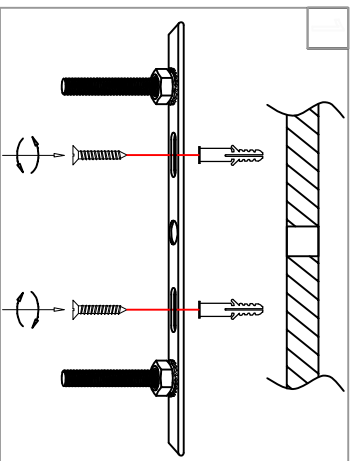


Warning:
This product must be installed by personnel who are familiar with its structure and related hazards. In accordance with the installation specifications. This product is suitable for indoor installation.

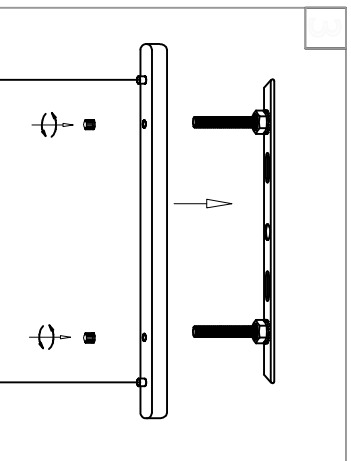


Product style diagram

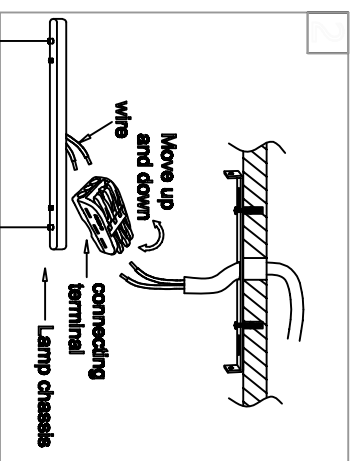
Steps of installation



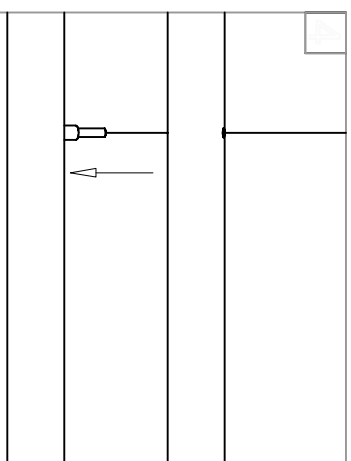
Fix the mounting plate to the ceiling.



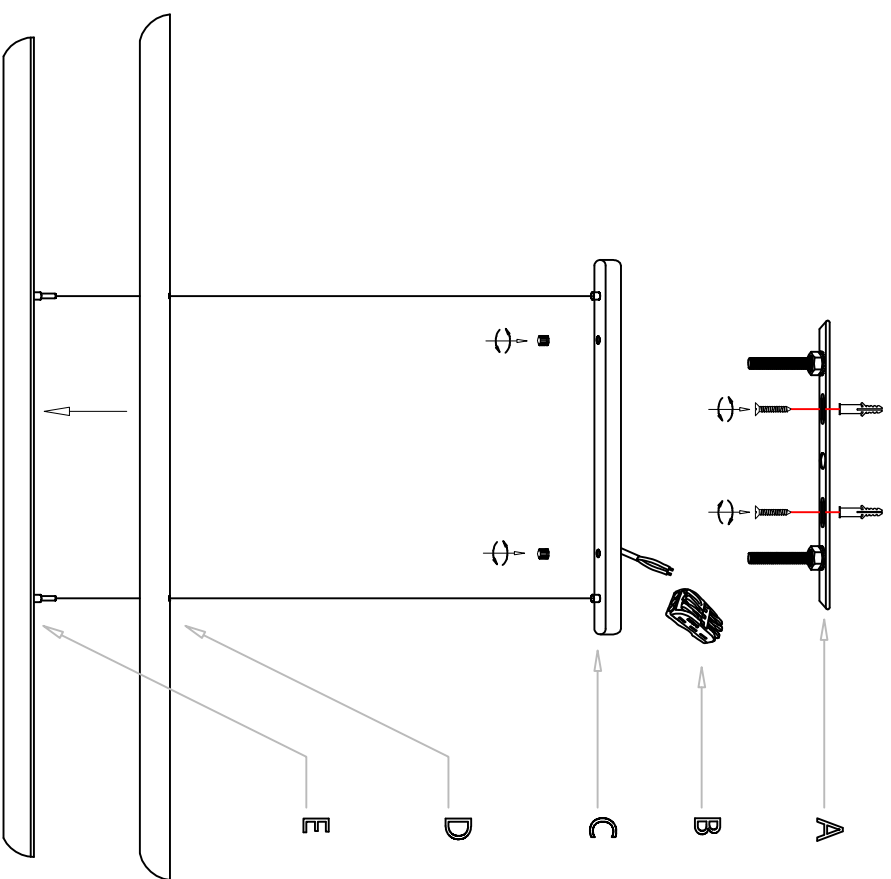
Align the holes on the box with those on the mounting plate, and tighten the screws.



Using the quick connector, connect the wires on the box to the wires on the ceiling.



Align the holes of the lampshade with the cylinder of the lamp body and insert it for fixation.



First, align the holes of the lampshade (D) with the cylinder of the lamp body (B) and insert it for fixation.

Next, install the mounting plate (A) onto the ceiling. Then, use the quick connector (B) to connect the wires of the top cover (C) to the wires of the ceiling. Afterwards, align the holes of the top cover (C) with the threaded rod of the mounting plate (A) and tighten the nut.