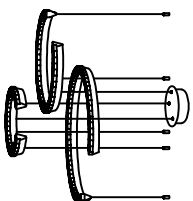


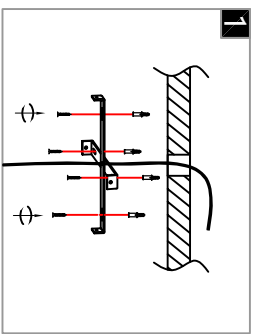
**Warning:**

This product must be installed by personnel who are familiar with its structure and related hazards, in accordance with the installation specifications. This product is suitable for indoor installation.

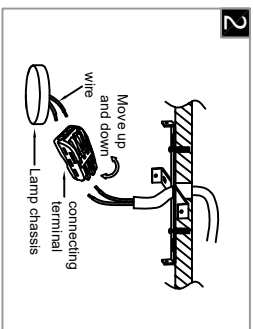


Product style diagram

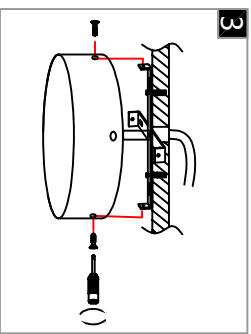
**Steps of installation**



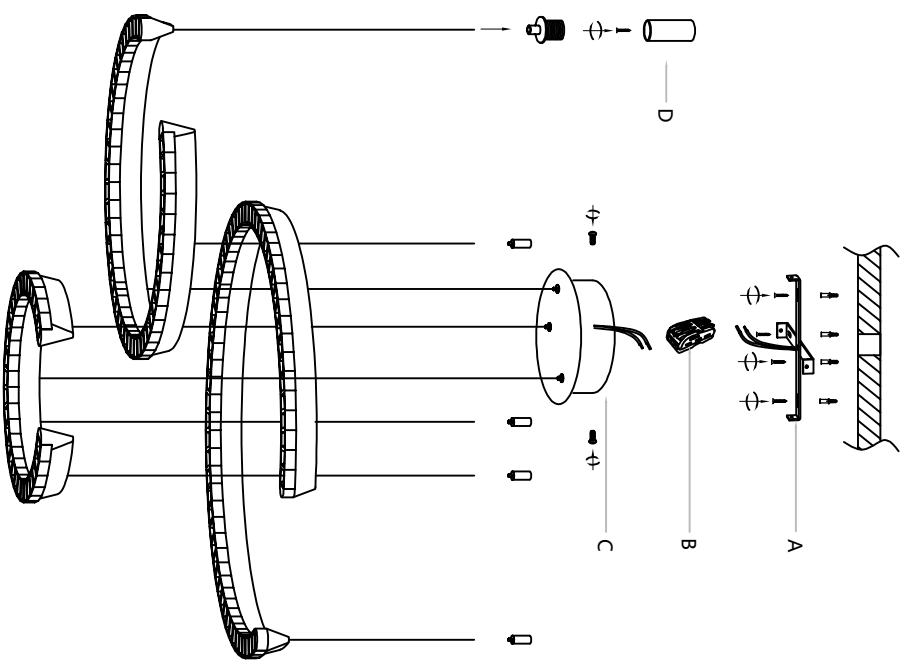
1 use self-tapping screws to fix the mounting plate (A) to the wall.



2 Connect the wires to the terminal blocks. Usually, the neutral wire (white) and the live wire (black).



3 install the top cover onto the mounting plate.



First, use self-tapping screws to fix the mounting plate (A) to the wall. Then, connect the reserved wires on the lamp body (C) to the reserved wires on the wall and the junction box. (B). Next, install the lamp body (C) onto the mounting plate (A). Afterwards, install the locking wire holder (D) on the ceiling. Pass the steel wire through the telescopic head and secure it to the locking wire holder.