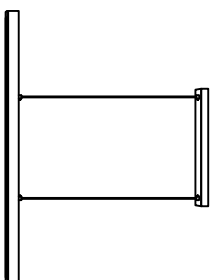


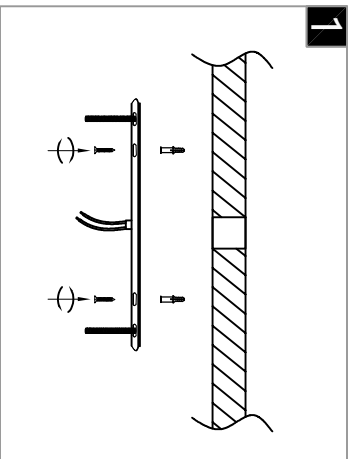
**Warning:**

This product must be installed by personnel who are familiar with its structure and related hazards, in accordance with the installation specifications. This product is suitable for indoor installation.

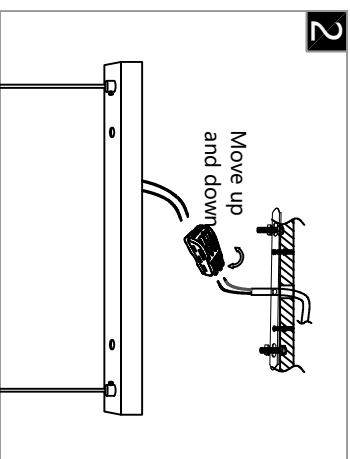


Product style diagram

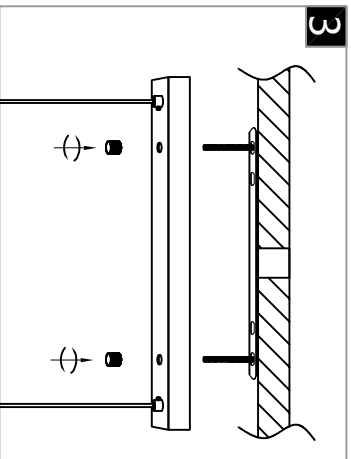
**Steps of installation**



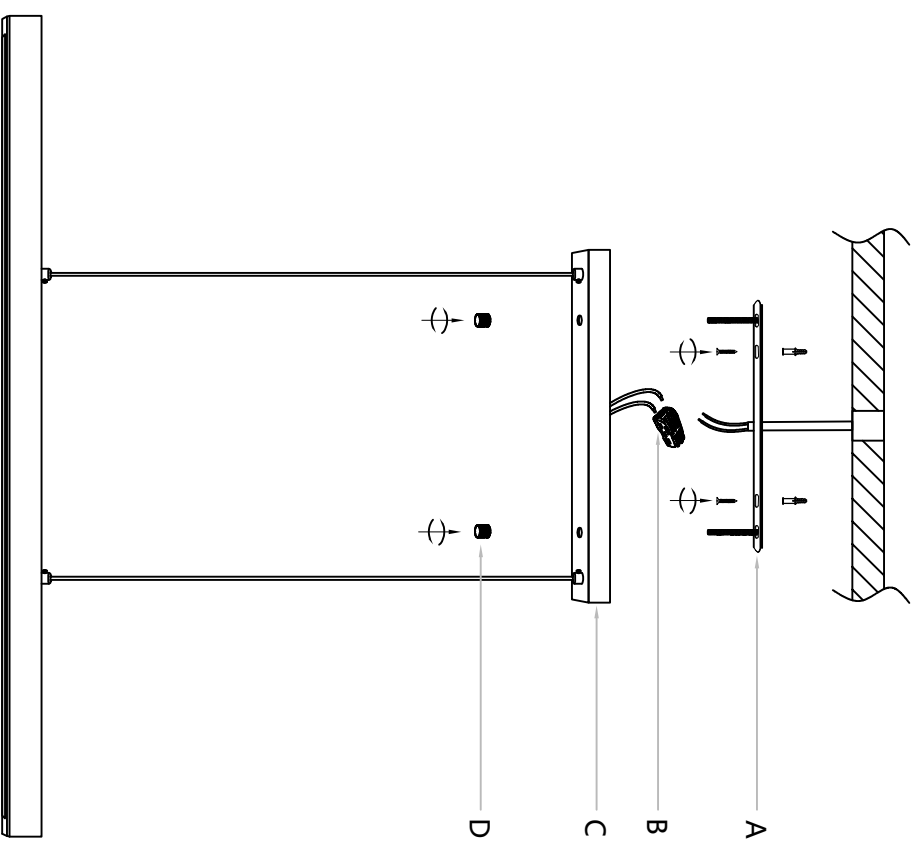
1 First, fix the expansion screws onto the ceiling, and then lock the mounting plate onto the screws.



2 Connect the wires inside the luminaire and ceiling to the terminal, usually neutral wire (white), hot wire (black)



3 Then, align the holes of the top cover with the threaded rod of the mounting plate, and tighten the nut.



First, attach the mounting plate (A) to the ceiling. Next, connect the wires of the top cover (C) to those of the ceiling using the terminal block (B). Then, align the holes of the top cover (C) with the threaded rod of the mounting plate (A), and tighten the nut(D).