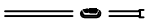
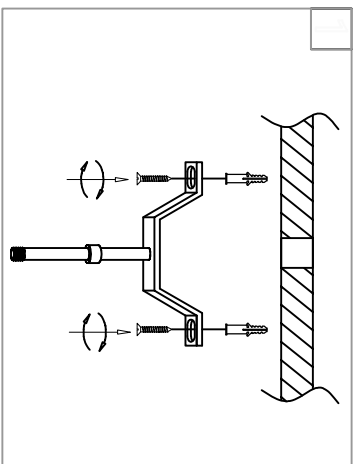


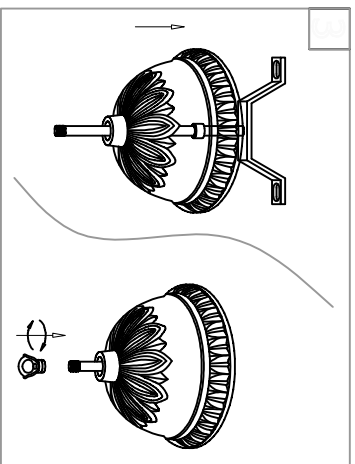
Warning:
This product must be installed by personnel who are familiar with its structure and related hazards, in accordance with the installation specifications. This product is suitable for indoor installation.



Steps of installation

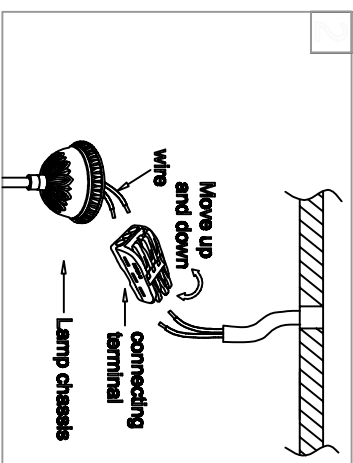


Install the fixing plate onto the wall.

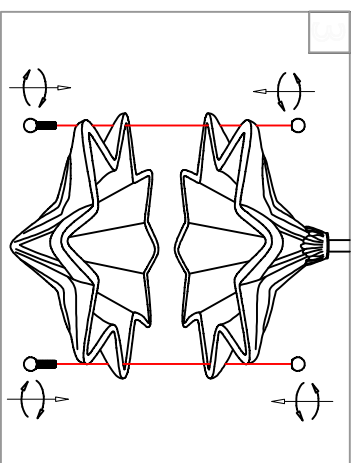


Align the holes of the top cover with the threaded rod on the mounting plate, and tighten the nut.

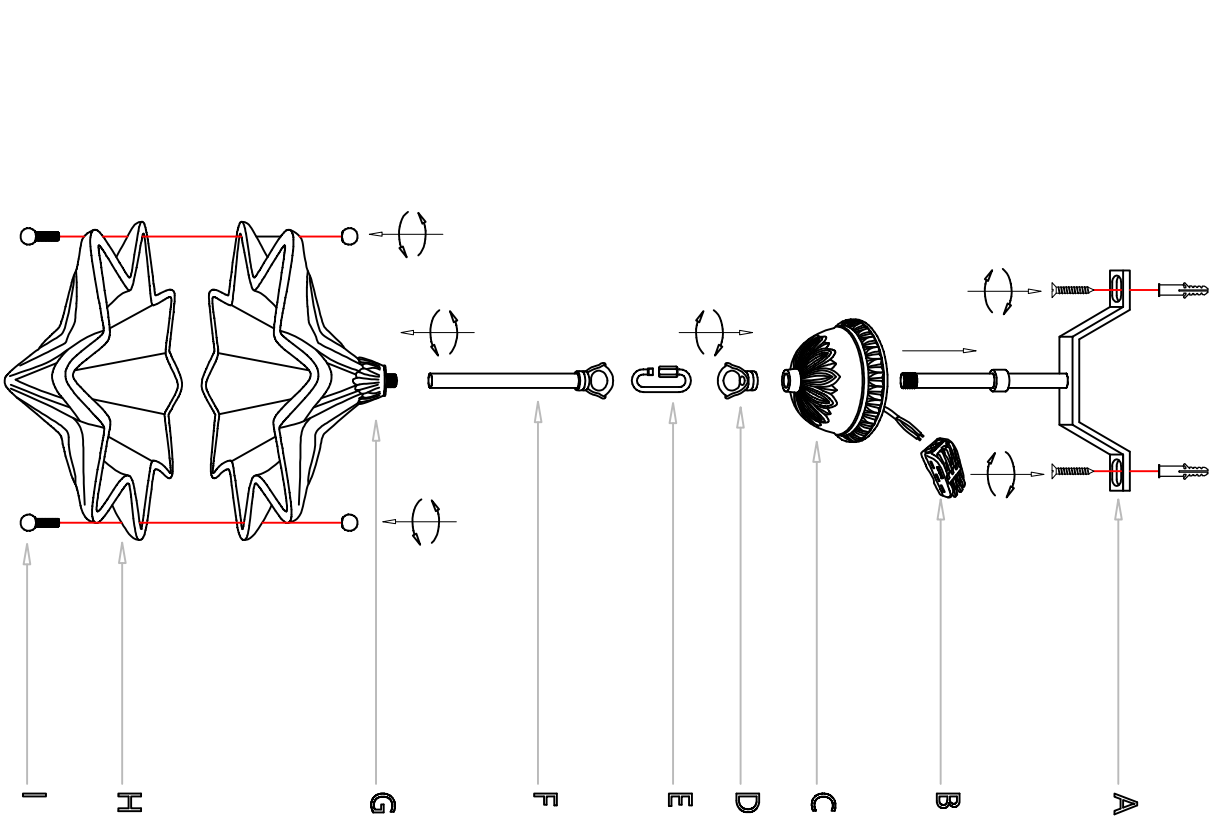
Product style diagram



Connect the wires of the top cover to those of the ceiling using the terminal block.



Install the bulb onto the lamp head, then align the holes of the lamp covers and, and tighten the nuts.



First, install the bulb onto the lamp head, then align the holes of the lamp covers (H) and (F), and tighten the nuts (I).
Next, pass the wires through the lamp pole (B) and fix the lamp pole (F) onto the threaded base of the lamp cover (C).
Then, install the fixing plate (A) onto the wall. Then, pass the wires through the nut (D) and the top cover (C), and connect the wires to the wires on the wall through the terminal block (E). Then align the holes of the top cover (C) with the threaded rod on the mounting plate (A), and tighten the nut (D). Next, use the hanging ring (B) to connect the nut (D) and the lamp pole (F).