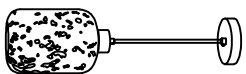
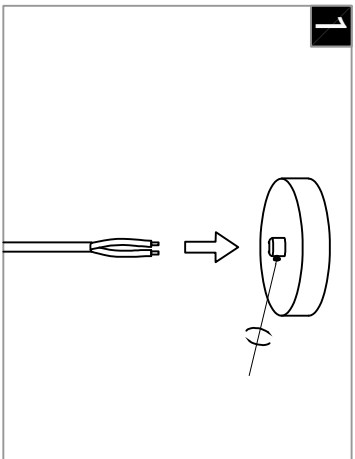


**Warning:**  
This product must be installed by personnel who are familiar with its structure and related hazards, in accordance with the installation specifications. This product is suitable for indoor installation.

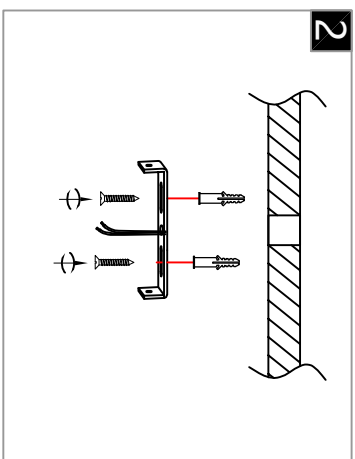


Product style diagram

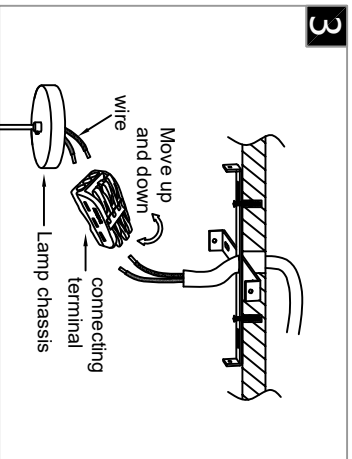
## Steps of installation



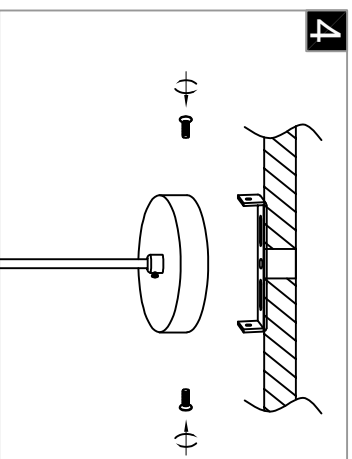
First, insert the wire through the top cover and secure it.



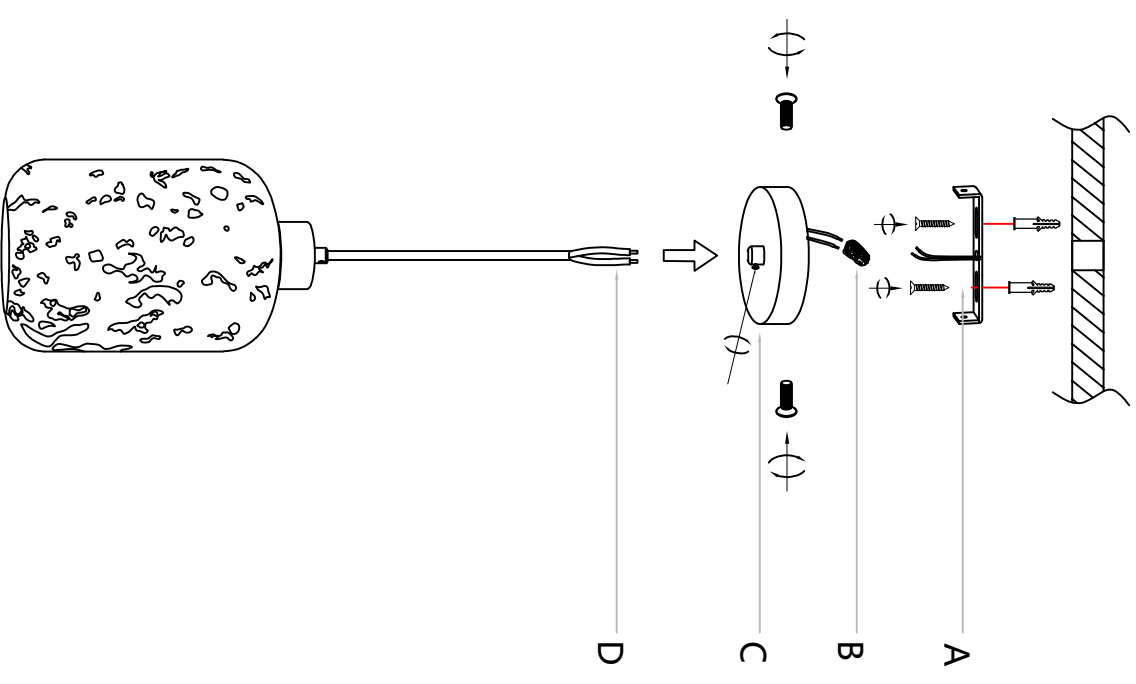
Next, attach the mounting plate to the ceiling.



Then, connect the wires of the top cover and the wires of the ceiling using the terminal block.



Then, align the holes of the top cover with those of the mounting plate, and tighten the screws.



First, insert the wire (D) through the top cover (C) and secure it. Next, attach the mounting plate (A) to the ceiling. Then, connect the wires of the top cover (C) and the wires of the ceiling using the terminal block (B). Then, align the holes of the top cover (C) with those of the mounting plate (A), and tighten the screws.