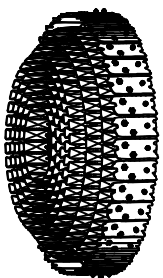
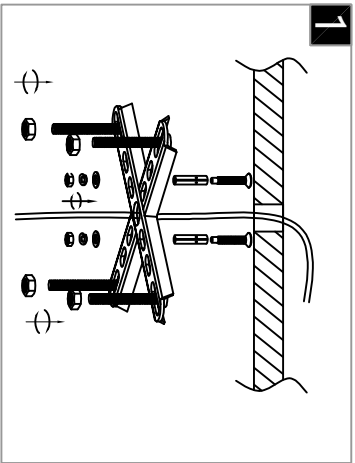


**Warning:**  
This product must be installed by personnel who are familiar with its structure and related hazards, in accordance with the installation specifications. This product is suitable for indoor installation.

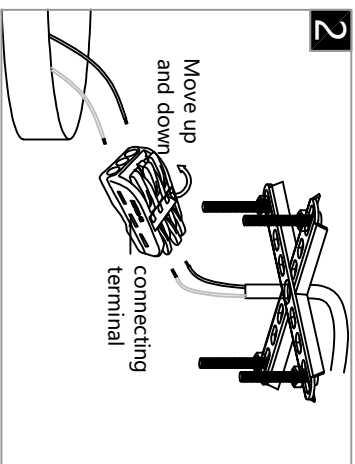


Product style diagram

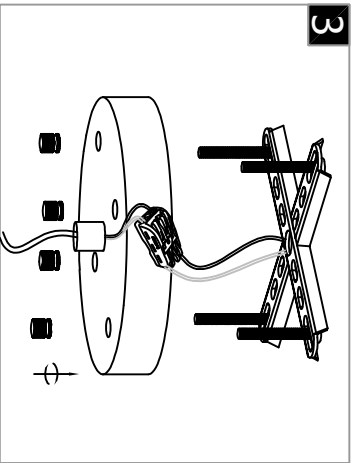
## Steps of installation



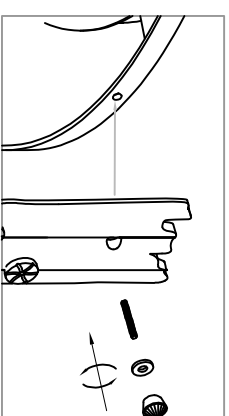
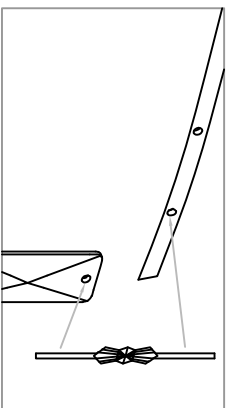
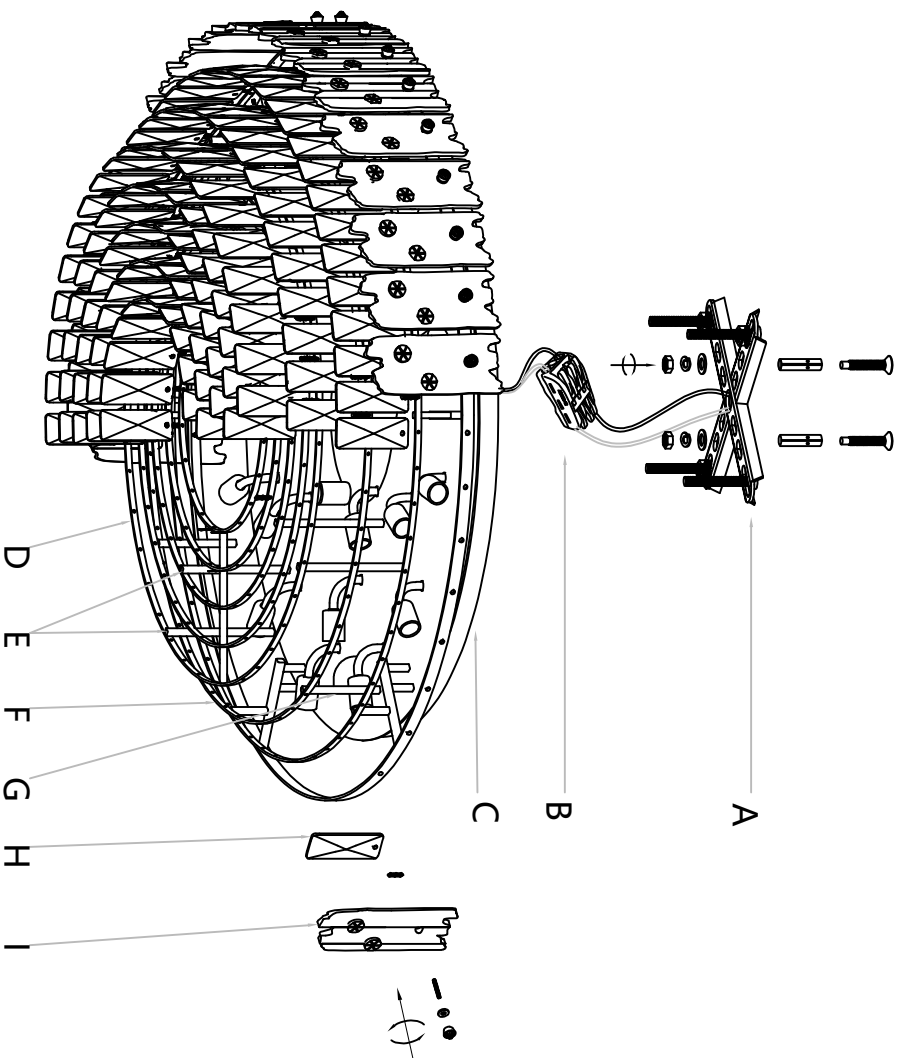
First, fix the expansion screws onto the ceiling, and then lock the mounting plate onto the screws.



Connect the wires inside the luminaire and ceiling to the terminal, usually neutral wire (white), hot wire (black)



Align the top cover hole position on the luminaire with the screws on the mounting plate and then secure from the bottom using the nut.



First, install the light bulb. Then, fix the iron frame (D) to the top cover (C) using the rectangular tube (E). Next, fix the iron ring (F) to the top cover (C) using the short square tube (G). After that, fix the mounting plate (A) to the ceiling with iron nails. Then, connect the wires of the top cover (C) to the wires on the ceiling and the junction box (B). Next, align the holes of the top cover (C) with the threaded rods of the mounting plate (A) and tighten the nuts. Then, install the square crystal (H) using the butterfly fasteners onto the iron frame (D), the iron ring (F), and the inner ring of the top cover (C). Finally, install the glass sheet (I) onto the outer ring of the top cover (C) using the threaded rods and rubber pads, and the nuts.