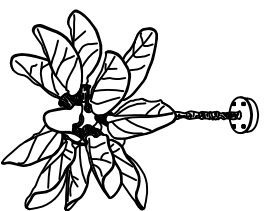


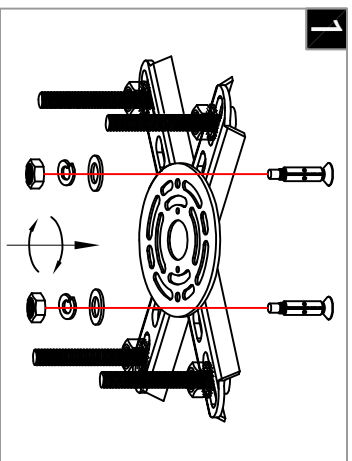
**Warning:**

This product must be installed by personnel who are familiar with its structure and related hazards, in accordance with the installation specifications. This product is suitable for indoor installation.

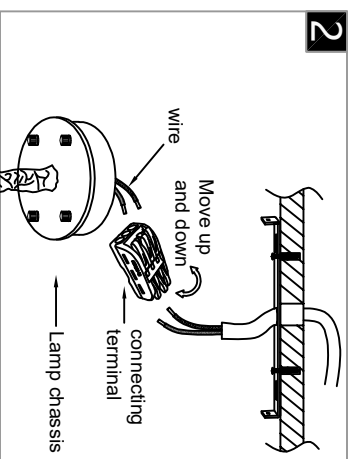
**Steps of installation**



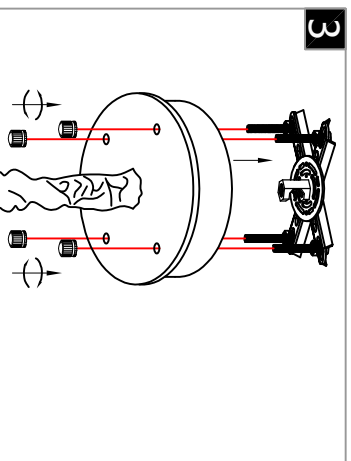
Product style diagram



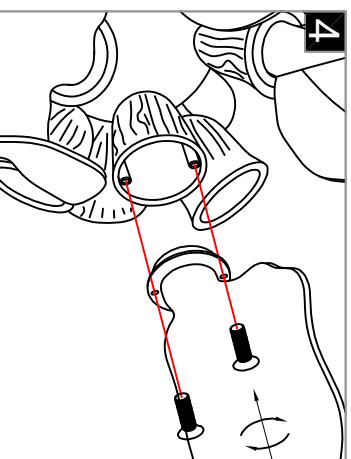
Fix the mounting plate to the ceiling.



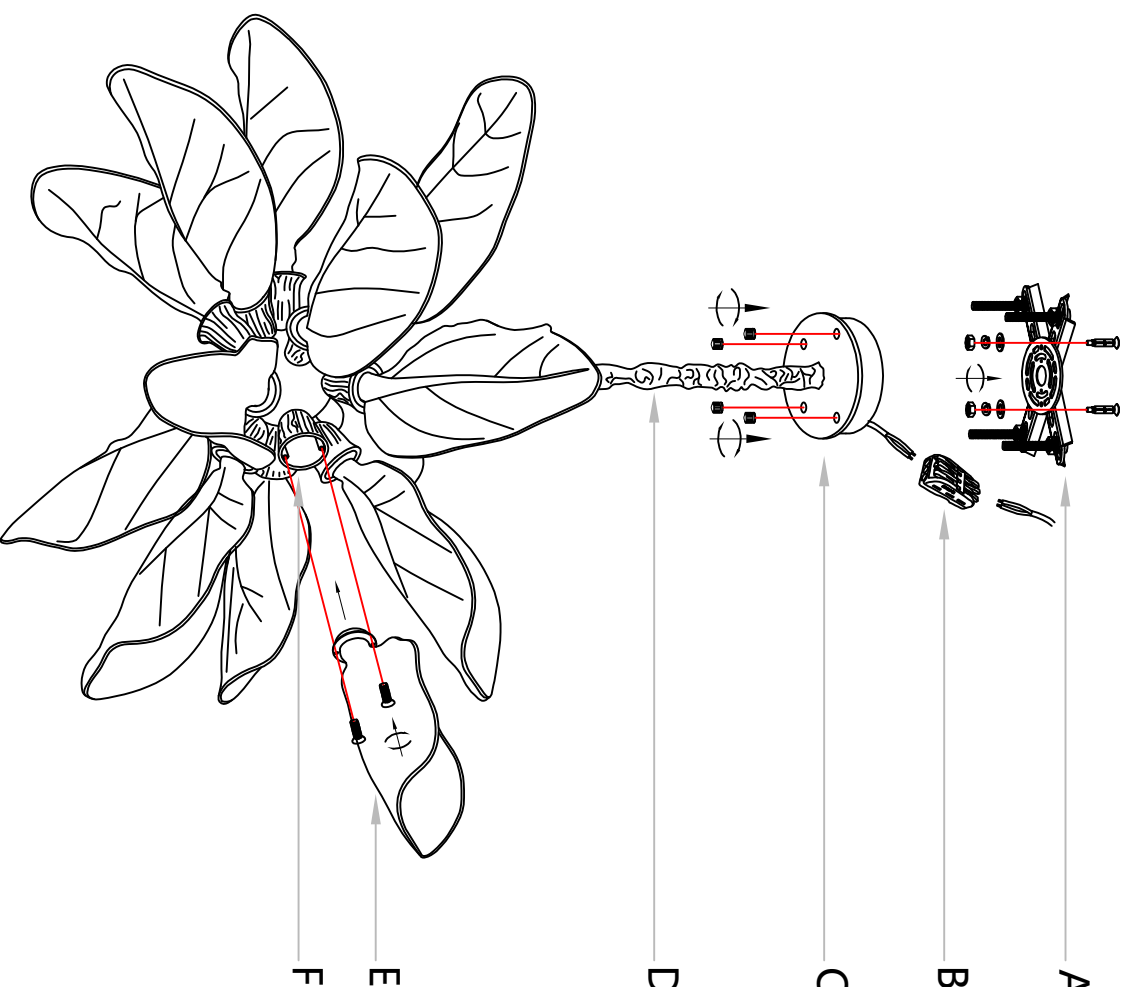
Use the quick connector to connect the power cord inside the disc to the wires on the ceiling.



Align the holes at the bottom of the disc with the threaded rod on the mounting plate, and tighten the nut.



Align the screw holes of the lampshade with the screw holes of the lamp body, and tighten the screws.



First, fix the mounting plate (A) to the ceiling.

Next, use the quick connector (B) to connect the power line inside the disc (C) to the wires on the ceiling.

Then, align the holes at the bottom of the disc (C) with the threaded rod on the mounting plate (A), and tighten the nut.

Next, align the screw holes of the lampshade (E) with the screw holes of the lamp body (F), and tighten the screws.

(The cover (D) has a built-in adjustable loop, which can be loosened to adjust the required length)