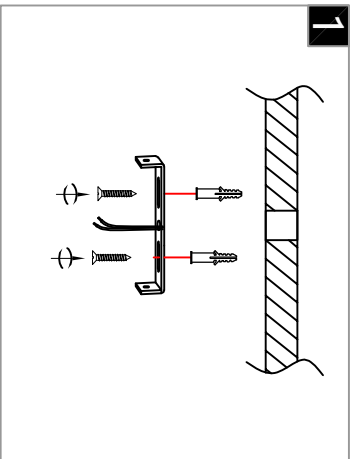


Warning:
This product must be installed by personnel who are familiar with its structure and related hazards, in accordance with the installation specifications. This product is suitable for indoor installation.

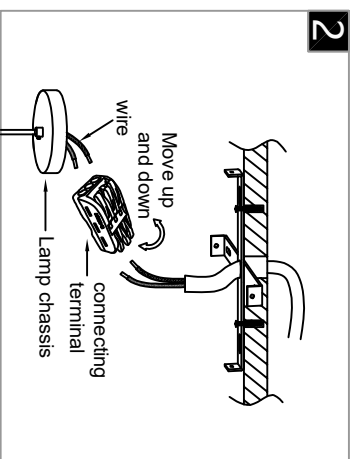


Product style diagram

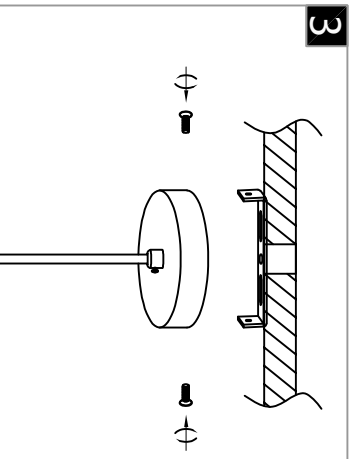
Steps of installation



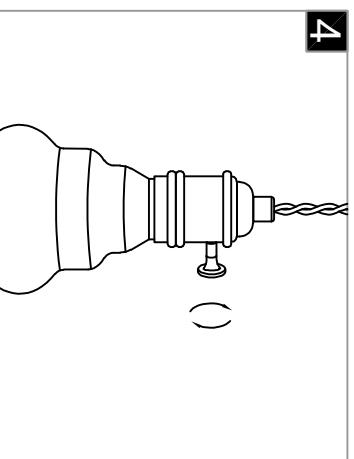
1 First fix the mounting plate to the ceiling



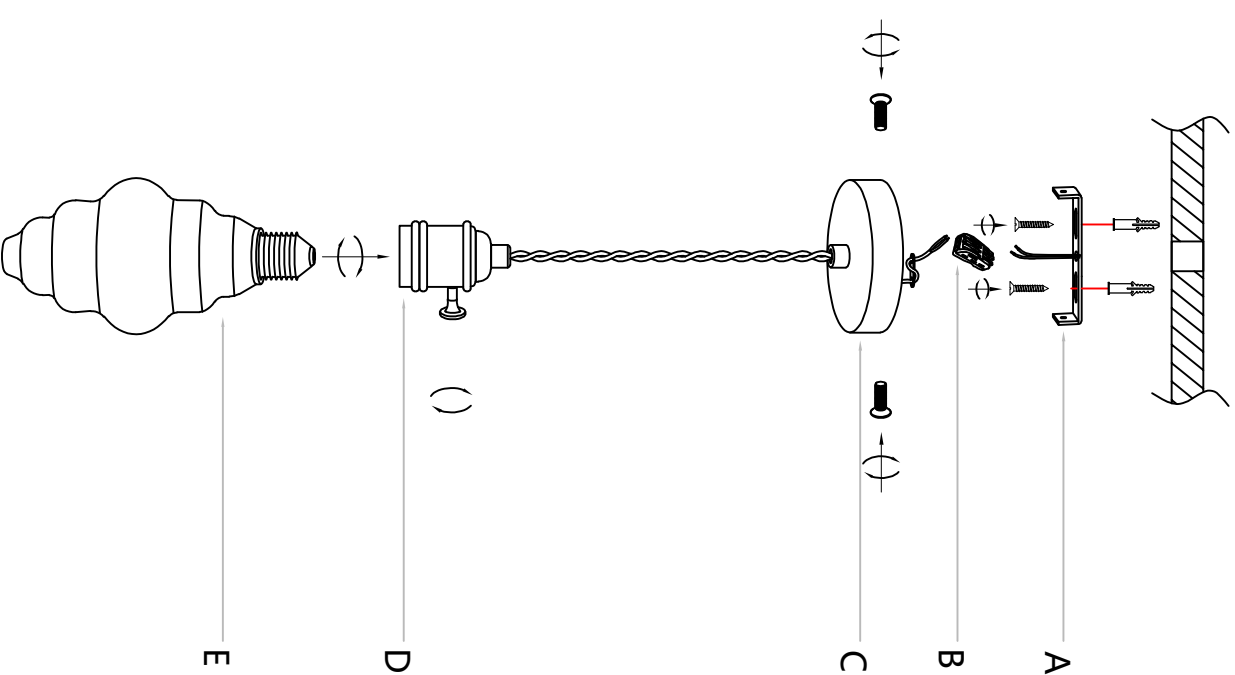
2 Then, connect the wires of the top cover and the wires of the ceiling using the terminal block.



3 Then, align the holes of the top cover with those of the mounting plate, and tighten the screws.



4 Rotate to turn on the light, rotate to turn off the light



First, fix the mounting plate (A) to the ceiling. Next, use the terminal blocks (B) to connect the wires on the top cover (C) to the wires on the ceiling. Then, align the holes on the top cover (C) with the holes on the mounting plate (A), and tighten the screws. Afterwards, install the bulb (E) on the lamp holder (D).